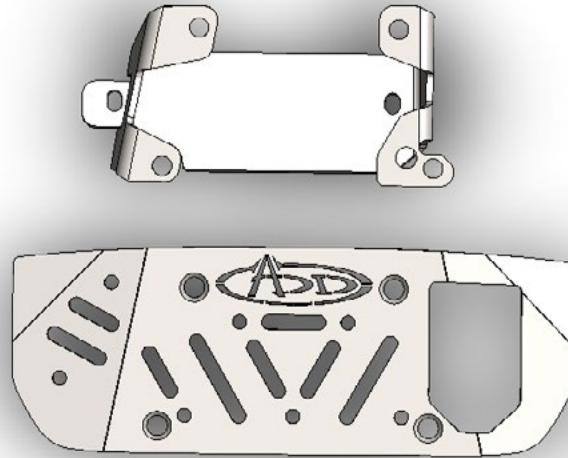


21-24/DODGE TRX

DASH MOUNT
AC6201701NA



TOOLS REQUIRED

(Socket) 7mm
(Allen) 5/32
Ratchet



TIME REQUIRED

- 30 Minutes for OEM Removal/Install



SKILL LEVEL

-Easy/Intermediate



INCLUDED IN KIT

4- 1/4" Self Retaining Washer
4- 1/4-20 X 3/4" Hex Flat Head Bolt

⚠️ WARNINGS/CAUTIONS BEFORE STARTING INSTALLATION ⚠️

-BEFORE YOU INSTALL THIS KIT-

Read and understand all instructions, warnings, cautions, & notes contained in this installation instruction guide. Consult your vehicle owner's manual for proper disconnection of electrical and lifting of vehicle if required for installation of this product.

This install may require some technical skills and knowledge of basic mechanical work. If you do not feel that you are capable of performing this install please take this product to a trained professional.

After reading this guide please contact us with any questions or concerns before installing product.
Customer Service (480) 671-0820

Addictive desert designs is *not* responsible for any bodily injury or harm to you or your vehicle as a result of an improper install.

Proper installation of this kit required knowledge of the factory recommended procedures for removal and installation of original equipment components.

We recommend that the factory shop manual and any special tools needed to service your vehicle be on hand during the installation. Installation of this kit without proper knowledge of the factory recommended procedures may affect the performance of these components and the safety of the vehicle.

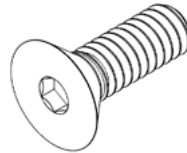
Inspect all contents of this package to make sure product is not damaged and all installation hardware has been included. If parts are missing from kit, please be prepared to provide the following information:

1. Name of purchase location
2. Bar Code on side of box
3. Date above bar code
4. Date inside box cover

***ALWAYS WEAR EYE PROTECTION
WHEN OPERATING POWER TOOLS***

HARDWARE/PARTS

A.



1/4-20 X 3/4" HEX FLAT HEAD BOLT

QTY: 4

A1.



1/4" SELF RETAINING WASHER

QTY: 4

Reference this page throughout the install

DASH MOUNT
21-24/DODGE TRX

REMOVAL

STEP 1

Remove the rubber tray to expose the OEM mounting bolts.



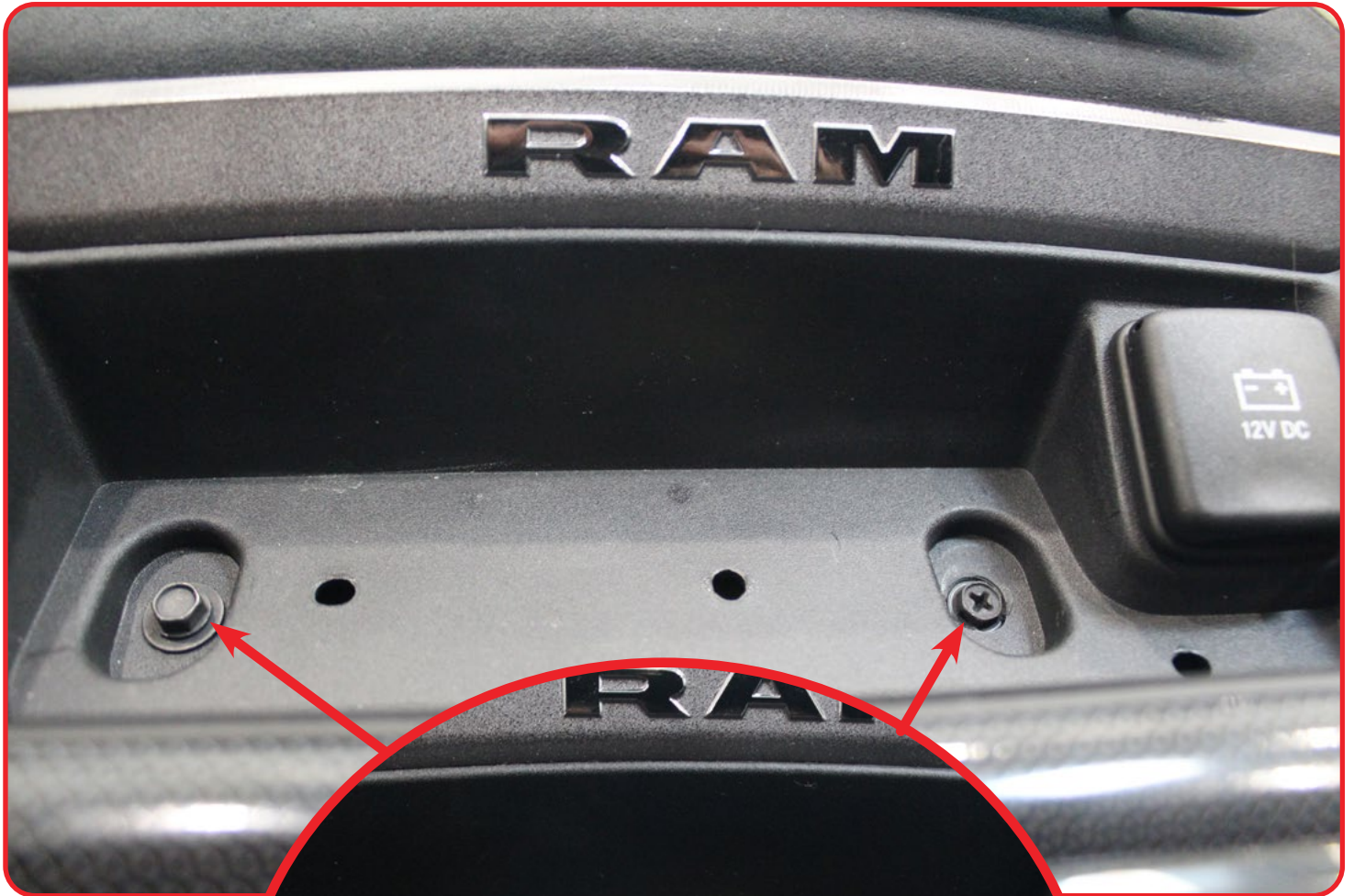
DASH MOUNT

21-24/DODGE TRX

INSTALL

□ STEP 2

Using a (7mm Socket) Remove the 2x OEM mounting bolts.



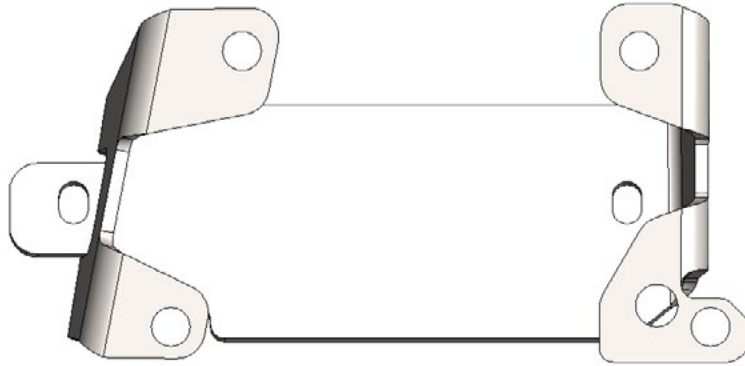
DASH MOUNT

21-24/DODGE TRX

INSTALL

□ STEP 3

Using a (7mm Socket) install the mount plate with the OEM hardware removed from **step 2** as shown below.

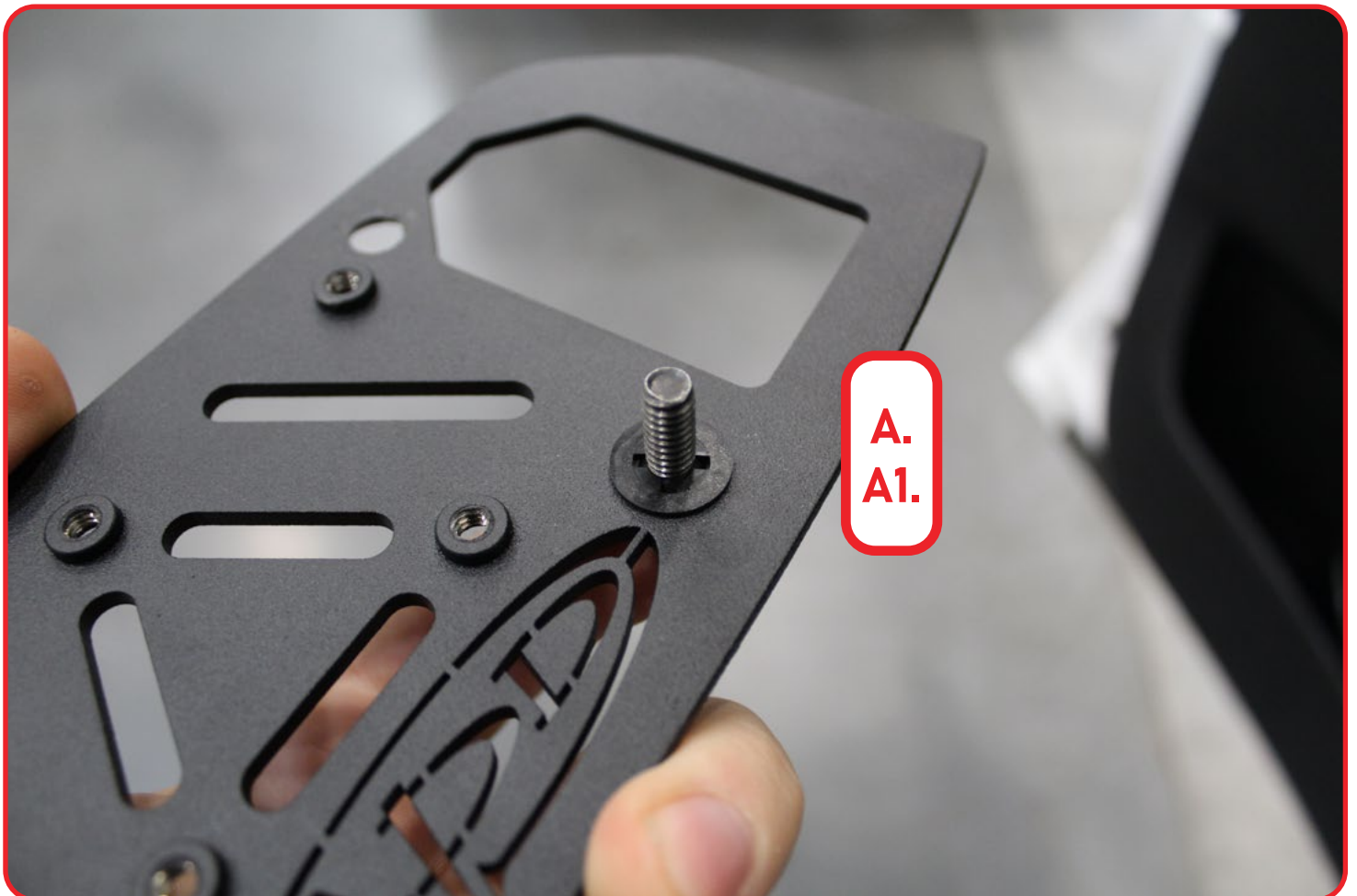
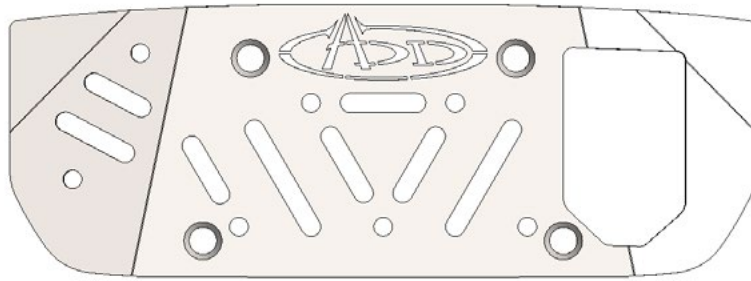


DASH MOUNT 21-24/DODGE TRX

INSTALL

□ STEP 4

With the provided **(A, A1)** 1/4-20 X 3/4" flat head bolts, and the 1/4" self retaining washers, insert the **(A)** flat head bolts through the mounting holes and slip the **(A1)** self retaining washer on as shown below.



DASH MOUNT 21-24/DODGE TRX

INSTALL

□ STEP 5

Using a (5/32 allen) install the dash plate as shown below.



DASH MOUNT 21-24/DODGE TRX

FINAL

STEP 6

Stand back and enjoy your new ADD Dash Mount.

Check and re-tighten, if needed, all mounting bolts after 100 miles and periodically thereafter.



THIS PRODUCT IS PROTECTED BY ONE OR MORE U.S. PATENTS
WWW.ADDICTIVEDESERTDESIGNS.COM/PATENTS

FOR ADDITIONAL SUPPORT OR TECHNICAL QUESTIONS,
PLEASE CALL 480-671-0820 OR
EMAIL INFO@ADDICTIVEDESERTDESIGNS.COM