

# ADDICTIVE DESERT DESIGNS

## Universal MaxRax Vehicle Roof Slide Rail Installation Instructions

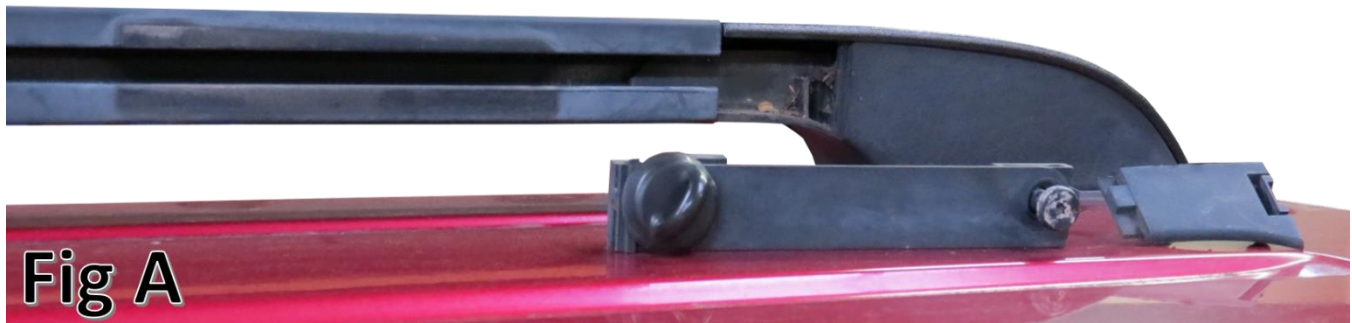
### PREPARATION

1. Disconnect the negative terminal on the battery. Park the vehicle on level ground and set the emergency brake.
2. We recommend reading through the installation instructions in whole before performing the work.
3. For Rack Assembly Instructions, Please Refer to "Universal Roof Rack Assembly Instructions"
4. You will need the following tools:
  - a. 7/32" Allen Wrench or Allen Key Socket
  - b. 9/16" Socket
  - c. Ratchet
5. Included in Kit:
  - 8 – Button Head Bolts – 3/8"-16 x 1"
  - 16 – Flat Washers – 3/8"
  - 8 – Nylon Locking Nuts – 3/8"-16
  - 8 – Hex Head Bolts – 1/4"-20 x 1"
  - 8 – Flat Washers – 1/4"
  - 8 – Snaptoggle Anchor – 1/4"-20

**\*\*This is a universal mounting kit. We will not be able to provide instructions on how to install this on every make/model. We have put together two installation examples to give you an idea of how the mounting kit works.\*\***

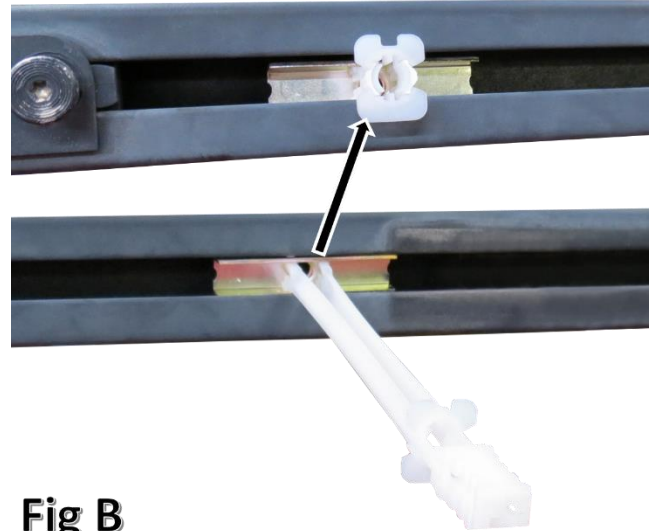
### FIRST INSTALLATION

1. First, remove anything that is preventing you from getting into the OEM roof rails.
  - a. In the vehicle pictured, there was a clip and a plate.
  - b. We removed the clip by hand and unscrewed the two screws holding the plate into the rail system.
  - c. Once the plate was free, we slid it out of the rail system. Refer to Fig A.

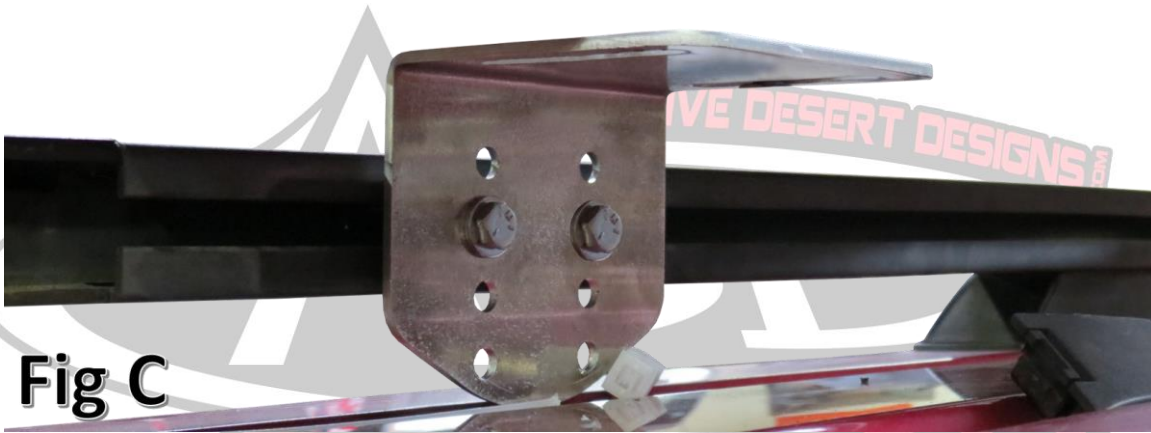


2. Install the Mounting Brackets

- a. Slide two of the Snaptoggle Anchors into one of the OEM roof rails.
- b. Pull the zip-ties tight and break the ends off. Refer to Fig B.
- c. Hold the mounting bracket in place with the angle facing towards the center of the vehicle.
- d. Hold the bracket to the rail by threading the supplied 1/4" Hex Head Bolt (x2) / 1/4" Washer (x2) through a mounting hole in the bracket and into the roof rail insert. Refer to Fig C.
- e. Repeat 2a-2d for the other 3 mounts.



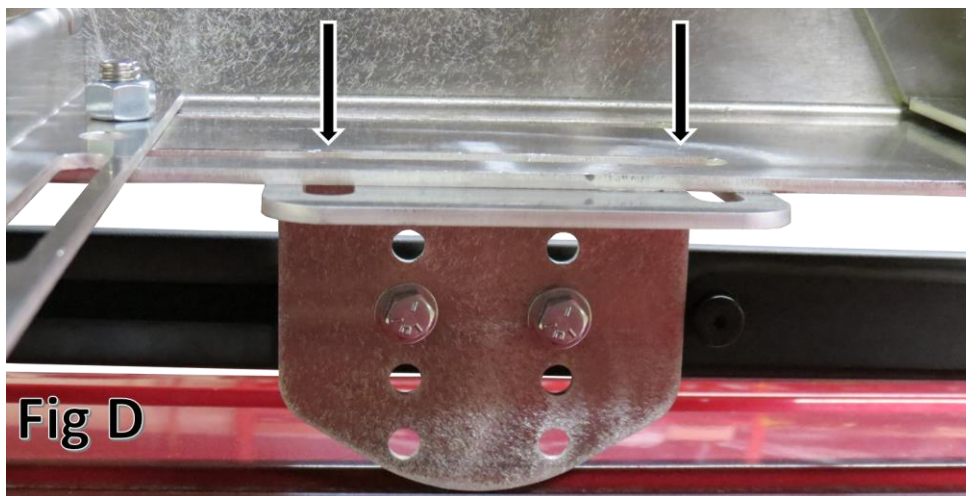
**Fig B**



**Fig C**

3. Install the MaxRax Roof Rack

- a. Place the roof rack on the mounts.
- b. Align the mounting slots on the brackets with the mounting slots on the bottom side of the Roof Rack. Refer to Fig D.
- c. Install supplied Button Head Bolts (x8), Flat Washers (x16), and Nylon Lock Nuts (x8). Install them finger loose until they are in place, then go back and tighten them to 30 foot pounds.



**Fig D**

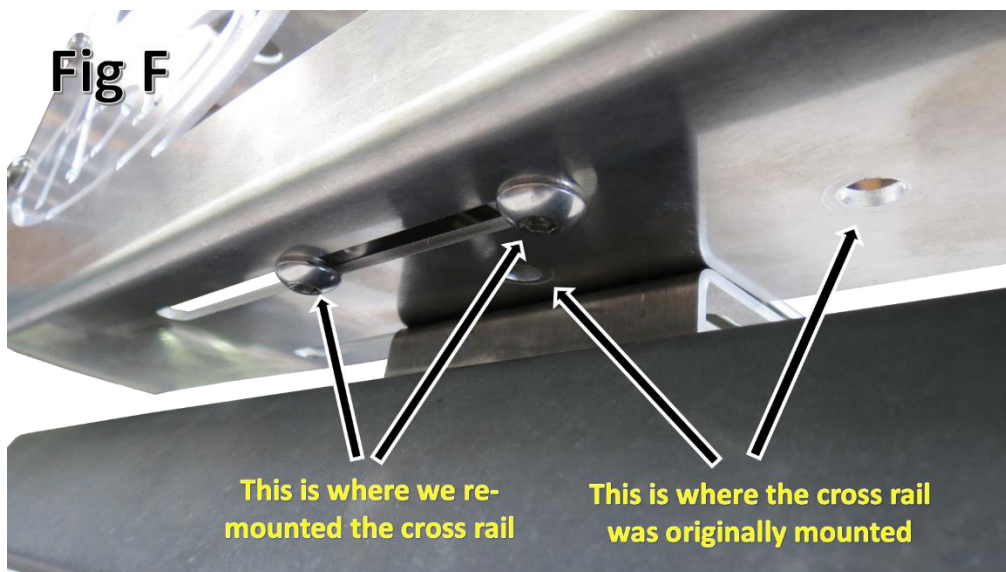
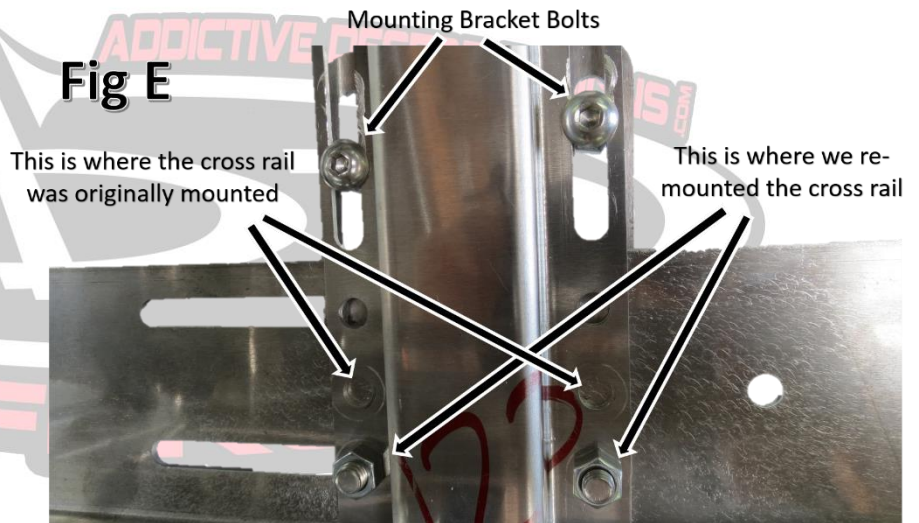
4. Stand back and enjoy your new ADD MaxRax Roof Rack.
5. Check and re-tighten if needed, all mounting bolts after 100 miles and periodically thereafter.

## SECOND INSTALLATION

1. First, remove anything that is preventing you from getting into the OEM roof rail system.
  - a. On this install, there was nothing blocking us, and we were able to slide the Snaptoggle Anchors (x8) right into the OEM rails.
2. Install the Mounting Brackets by following Step 2 from the first installation in this guide.
3. Install the MaxRax Roof Rack

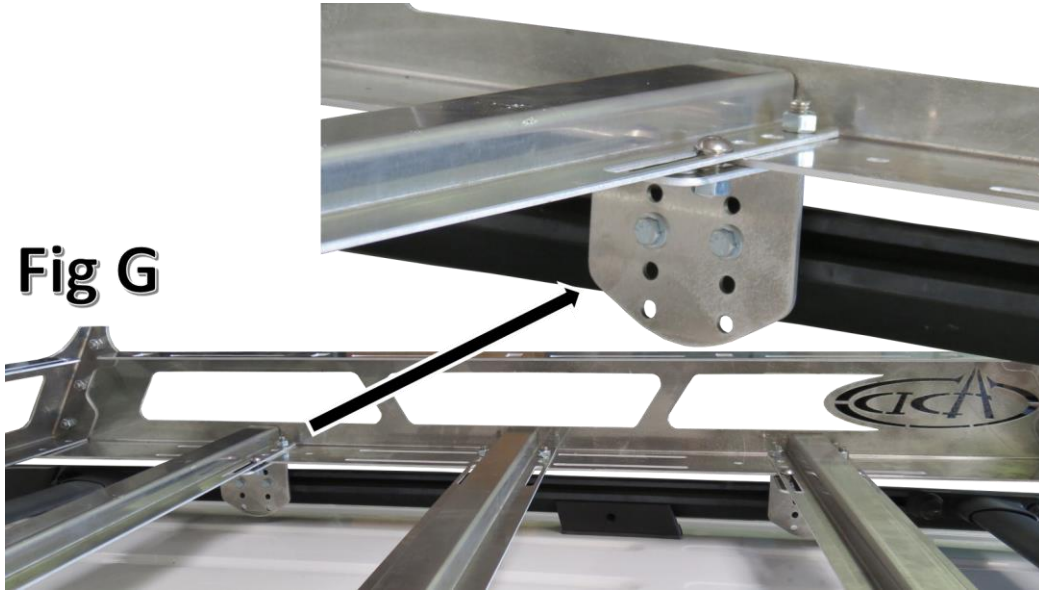
- a. Place the Roof Rack on the mounts.
- b. For this installation, the OEM Roof Rails were too narrow for us to align the slots on the bottom portion of the roof rack with the mounting bracket slots. In this case, we mounted the brackets using the slots cut into the cross rails that run along the bottom of the rack.
- c. We repositioned the rack cross rails so that the rails mounted to the slots cut into the bottom of the rack sides, instead of the two holes we normally use. If you do not remount the rack's cross rails, the mounting bracket will not clear the bolts holding those rails on.

- d. For Steps 3b & 3c, refer to Fig E, F, & G. Fig E is a top view of how the mounting bracket was bolted on. Fig F is a bottom view of how the mounting bracket was bolted on. Fig E is another angle of the mounting bracket.





**Fig G**



4. Stand back and enjoy your new ADD MaxRax Roof Rack.
5. Check and re-tighten if needed, all mounting bolts after 100 miles and periodically thereafter.



For Additional Support or Technical Questions,  
Please Call 480.671.0820 or  
Email [info@addictivedesertdesigns.com](mailto:info@addictivedesertdesigns.com)

**Addictive Desert Designs**  
4840 E. Jasmine Street Suite 112  
Mesa, AZ 85205  
[www.addictivedesertdesigns.com](http://www.addictivedesertdesigns.com)