



# INSTALLATION GUIDE

## 21-UP/FORD F-150 RAPTOR

### RACE SERIES LIGHT HOOP

AC2107001NA



#### TOOLS REQUIRED

(Allen) 7/32  
(Wrench) 9/16  
Ratchet



#### TIME REQUIRED

- 30 Minute Install  
-1 Additional Hour to Wire Lights

**\*\*Labor Rates are based on a vehicle with no pre-existing damage. Wiring labor is based on a standard wiring procedure with light switches installed in an easily accessible location. Custom light triggering or switch mounting location will result in a greater labor charge.\*\***



#### SKILL LEVEL

-Easy/Intermediate

## ⚠️ WARNINGS/CAUTIONS BEFORE STARTING INSTALLATION ⚠️

-BEFORE YOU INSTALL THIS KIT-

**Read and understand all instructions,** warnings, cautions, & notes contained in this installation instruction guide. Consult your vehicle owner's manual for proper disconnection of electrical and lifting of vehicle if required for installation of this product.

This install may require some technical skills and knowledge of basic mechanical work. If you do not feel that you are capable of performing this install please take this product to a trained professional.

After reading this guide please contact us with any questions or concerns before installing product.

Customer Service (480) 671-0820

Addictive desert designs is not responsible for any bodily injury or harm to you or your vehicle as a result of an improper install.

Proper installation of this kit required knowledge of the factory recommended procedures for removal and installation of original equipment components.

We recommend that the factory shop manual and any special tools needed to service your vehicle be on hand during the installation. Installation of this kit without proper knowledge of the factory recommended procedures may affect the performance of these

components and the safety of the vehicle. Inspect all contents of this package to make sure product is not damaged and all installation hardware has been included. If parts are missing from kit, please be prepared to provide the following information:

1. Name of purchase location
2. Bar Code on side of box
3. Date above bar code
4. Date inside box cover

**\*ALWAYS WEAR EYE PROTECTION WHEN OPERATING POWER TOOLS\***



## HARDWARE/PARTS

**A.**



3/8-16 X 1" BUTTON HEAD BOLT BLACK

QTY: 8

**A1.**



3/8 FLAT WASHER BLACK

QTY: 8

**A2.**



3/8-16 NYLON LOCK NUT BLACK

QTY: 8

Reference this page throughout the install



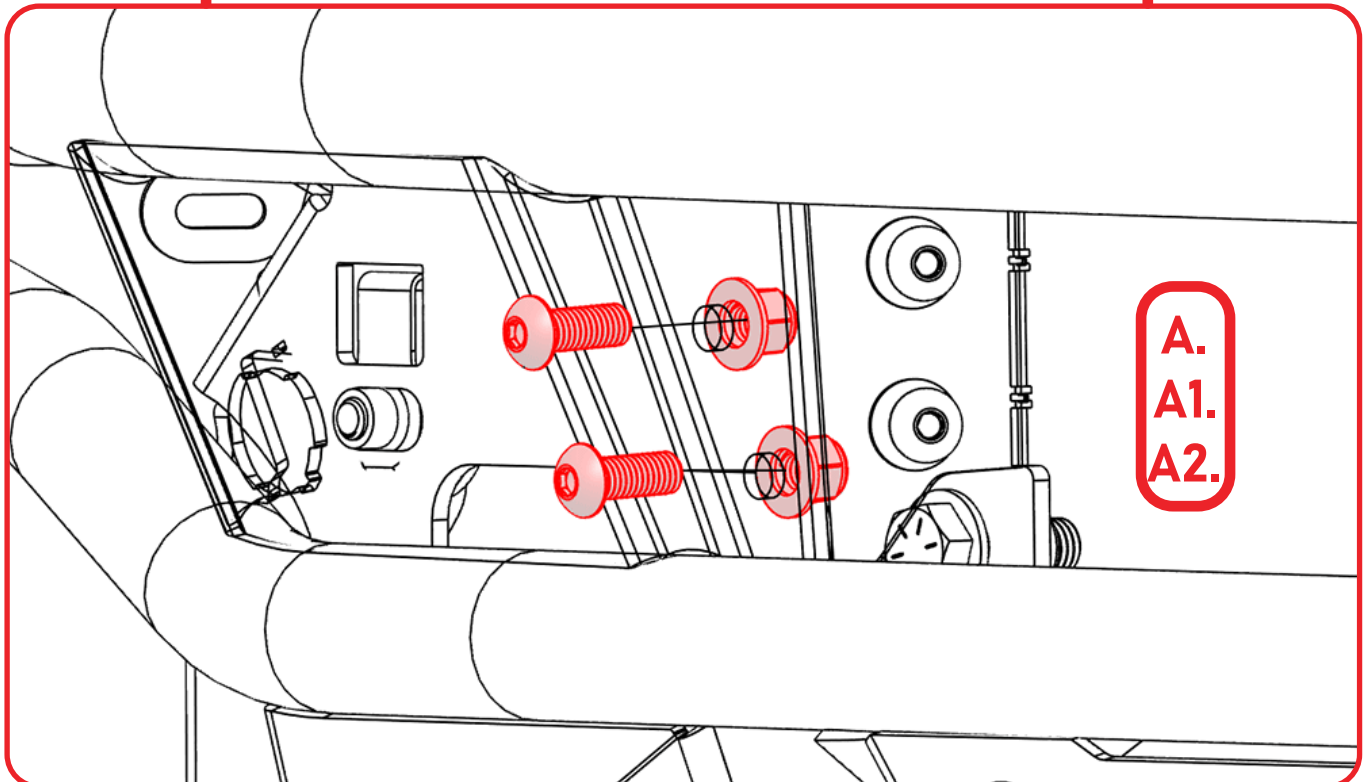
# INSTALLATION GUIDE

## RACE SERIES LIGHT HOOP 21-UP/FORD F-150 RAPTOR

## REMOVAL

### □ STEP 1

Install the light hoop into the mounting holes located on each side of the center light with the provided (A, A1, A2) 3/8" hardware using a (7/32 allen) and a (9/16 wrench).





# INSTALLATION GUIDE

## RACE SERIES LIGHT HOOP 21-UP/FORD F-150 RAPTOR

## FINAL

### □ STEP 2

Stand back and enjoy your new ADD Race Series Light Hoop.

Check and re-tighten all mounting bolts after 100 miles and periodically thereafter.



THIS PRODUCT IS PROTECTED BY ONE OR MORE U.S. PATENTS  
[WWW.ADDICTIVEDESERTDESIGNS.COM/PATENTS](http://WWW.ADDICTIVEDESERTDESIGNS.COM/PATENTS)

FOR ADDITIONAL SUPPORT OR TECHNICAL QUESTIONS,  
PLEASE CALL 480-671-0820 OR  
EMAIL [INFO@ADDICTIVEDESERTDESIGNS.COM](mailto:INFO@ADDICTIVEDESERTDESIGNS.COM)