

2025-UP CHEVY SILVERADO ZR2

STEALTH FIGHTER FRONT BUMPER

F890083030103



TOOLS REQUIRED

- (Sockets) 7/16, 9/16, 5/8, 3/4, 10mm, 13mm, 15mm
- (Box end wrenches) 7/16, 9/16, 5/8, 3/4, 10mm, 13mm, 15mm
- (Allen wrenches) 5/32, 7/32
- (Torx) T15
- Grinder
- Fastener remover or flathead screwdriver
- Zip ties
- Ratchet
- Razor/scissors



SKILL LEVEL

-Medium/Moderate

****This installation requires 2 people for best results****



TIME REQUIRED

- 2 hours for OEM Removal/Bumper Install
- 1 Additional Hour for Wiring

****Labor Rates are based on a vehicle with no pre-existing damage. Wiring labor is based on a standard wiring procedure with light switches installed in an easily accessible location. Custom light triggering or switch mounting location will result in a greater labor charge.****



INCLUDED IN KIT

- | | |
|-----------------------------------|-------------------------------|
| (4) 3/8-16 X 1 1/4" Hex Head Bolt | (8) 1/2-13" Nylon Lock Nut |
| (4) 3/8" Fender Washer | (8) 1/2" Flat Washer |
| (4) 3/8-16" Standard U-Nut | (4) 1/2-20" Nylon Lock Nut |
| (6) 3/8-16 X 1" Button Head Bolt | (8) 1/4" Flat Washer |
| (6) 3/8" Flat washer | (8) 1/4-20" Nylon Lock Nut |
| (6) 3/8-16" Extruded U-Nut | (8) 1/4-20 X 3/4" Button Head |
| (8) 1/2-13 X 1 1/2" Hex Head Bolt | (4) 1/2-20 X 4" Hex Head Bolt |
| (16) 1/2" Flat Washer | |



WARNINGS/CAUTIONS BEFORE STARTING INSTALLATION



-BEFORE YOU INSTALL THIS KIT-

Read and understand all instructions, warnings, cautions, & notes contained in this installation instruction guide. Consult your vehicle owner's manual for proper disconnection of electrical and lifting of vehicle if required for installation of this product.

This install may require some technical skills and knowledge of basic mechanical work. If you do not feel that you are capable of performing this install please take this product to a trained professional.

After reading this guide please contact us with any questions or concerns before installing product.
Customer Service (480) 671-0820

Addictive desert designs is not responsible for any bodily injury or harm to you or your vehicle as a result of an improper install.

Proper installation of this kit required knowledge of the factory recommended procedures for removal and installation of original equipment components.

We recommend that the factory shop manual and any special tools needed to service your vehicle be on hand during the installation. Installation of this kit without proper knowledge of the factory recommended procedures may affect the performance of these components and the safety of the vehicle.

Inspect all contents of this package to make sure product is not damaged and all installation hardware has been included. If parts are missing from kit, please be prepared to provide the following information:

1. Name of purchase location
2. Bar Code on side of box
3. Date above bar code
4. Date inside box cover

ALWAYS WEAR EYE PROTECTION WHEN OPERATING POWER TOOLS

HARDWARE/PARTS

PART #: F890083030103

A.



3/8-16 X 1 1/4" HEX HEAD

QTY: 8

A1.



3/8" FENDER WASHER

QTY: 4

A2.



3/8-16" SHORT U-NUT

QTY: 4

B.



3/8-16 X 1" BUTTON HEAD (BLACK)

QTY: 6

B1.



3/8" FLAT WASHER (BLACK)

QTY: 6

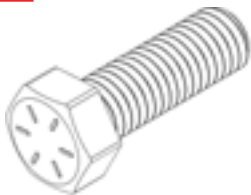
B2.



3/8-16" LONG U-NUT

QTY: 6

C.



1/2-13 X 1 1/2" HEX HEAD BOLT

QTY: 8

C1.



1/2" FLAT WASHER

QTY: 16

C2.



1/2-13" NYLON LOCK NUT

QTY: 8

Reference this page throughout the install

HARDWARE/PARTS

PART #: F890083030103

D.



3/8-16 X 1" BUTTON HEAD (BLACK)

QTY: 8

D1.



3/8" FLAT WASHER (BLACK)

QTY: 8

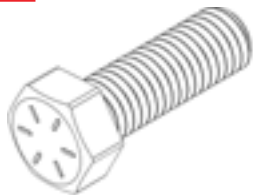
D2.



3/8-16" NYLON LOCK NUT

QTY: 8

E.



1/2-20 X 4" HEX HEAD BOLT

QTY: 4

E1.



1/2" FLAT WASHER

QTY: 8

E2.



1/2-13" NYLON LOCK NUT

QTY: 4

Reference this page throughout the install



TABLE OF CONTENT

PAGE 1-3: INTRO/HARDWARE

PAGE 5-21: OEM REMOVAL

PAGE 22-27: WINCH INSTALL

PAGE 28-42: BUMPER INSTALL

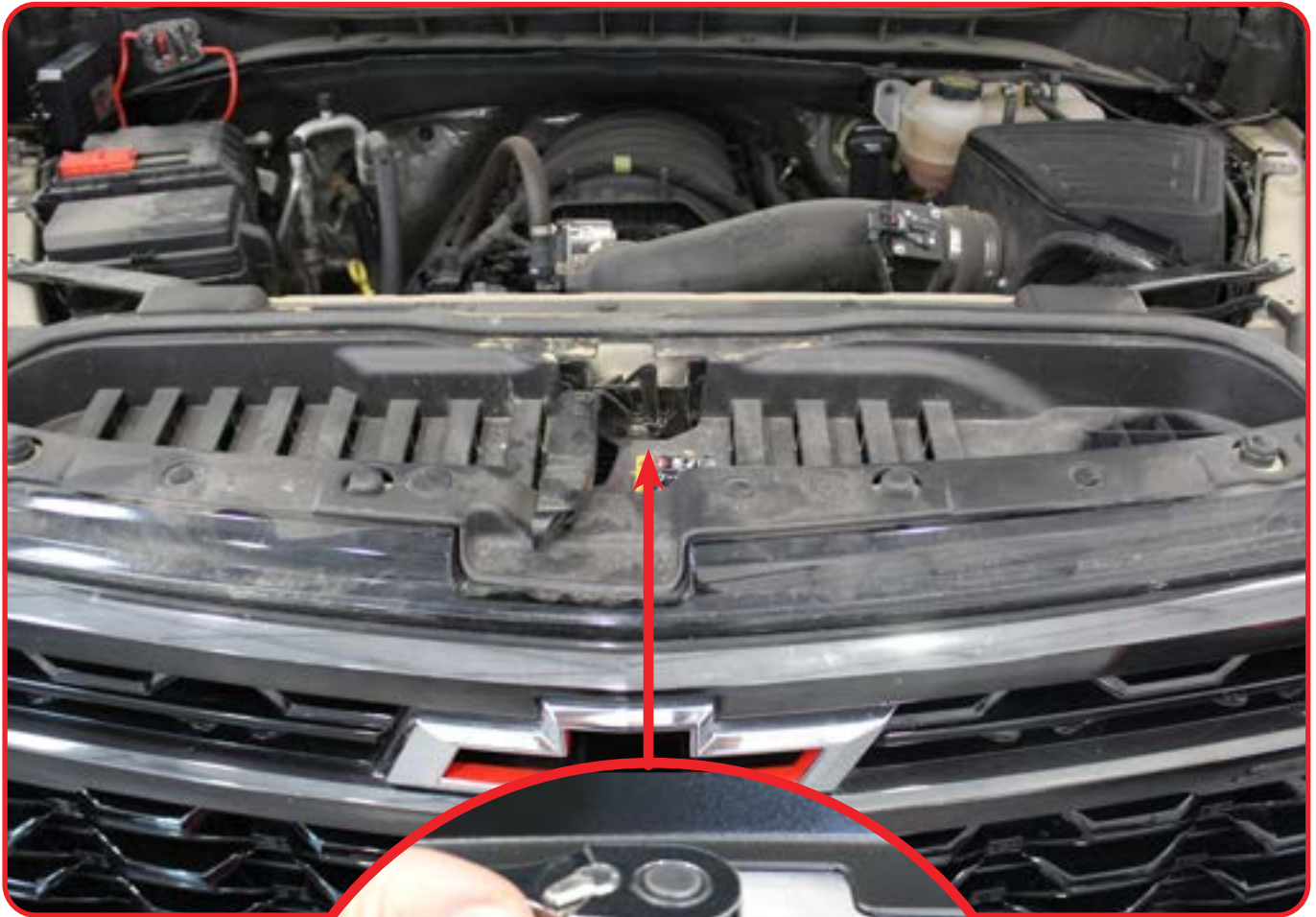
PAGE 43: FINAL

STEALTH FIGHTER FRONT BUMPER 2025-UP CHEVY SILVERADO ZR2

OEM REMOVAL

□ STEP 1

Using a (T15 torx), remove the hood handle as shown below. **(Keep hardware)**

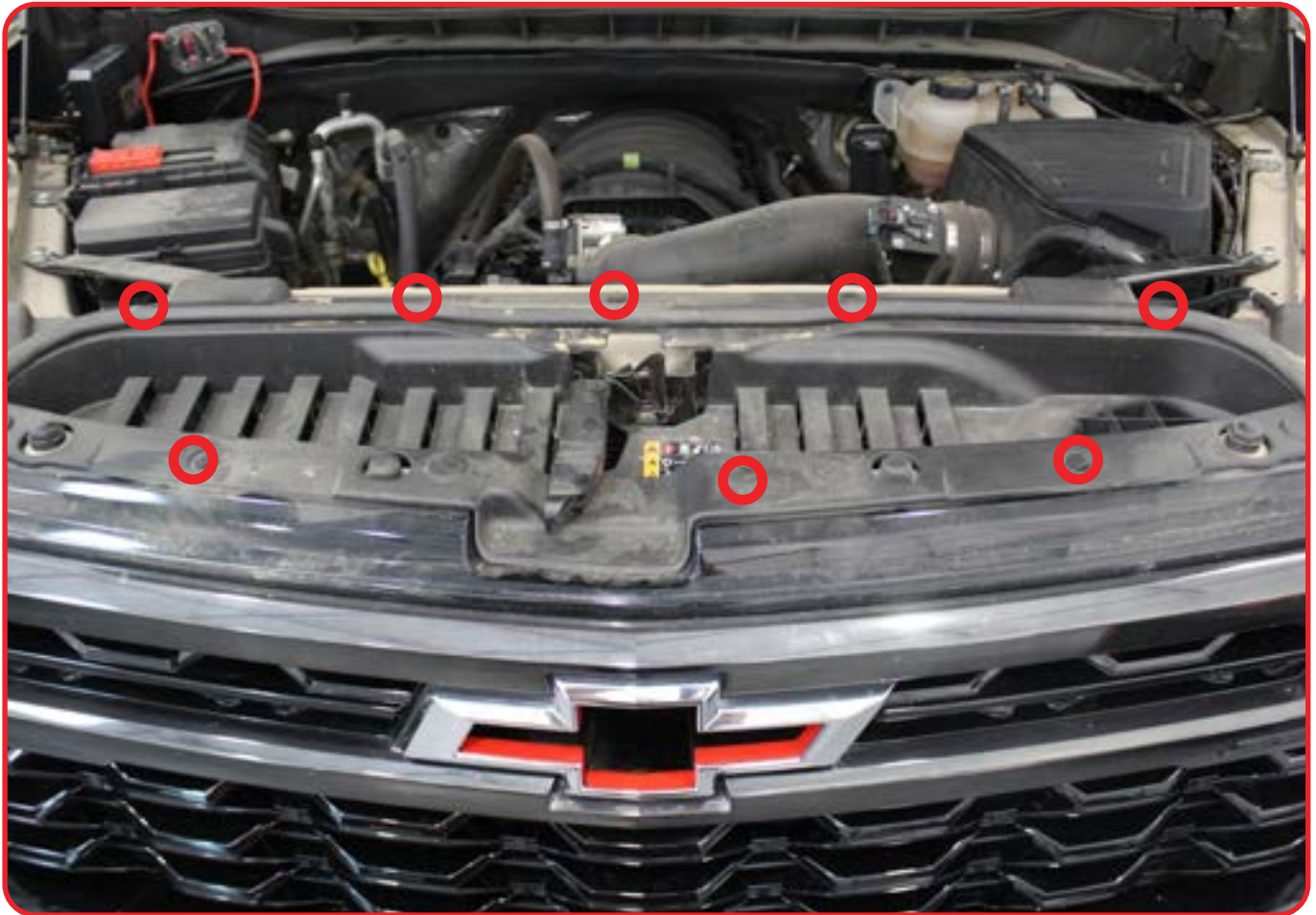


STEALTH FIGHTER FRONT BUMPER 2025-UP CHEVY SILVERADO ZR2

OEM REMOVAL

□ STEP 2

Using a (fastener remover), remove the push pins as shown below. (Keep hardware)



STEALTH FIGHTER FRONT BUMPER 2025-UP CHEVY SILVERADO ZR2

OEM REMOVAL

□ STEP 3

Using a (10mm socket), remove the 4x bolts holding the grill. (Keep hardware)

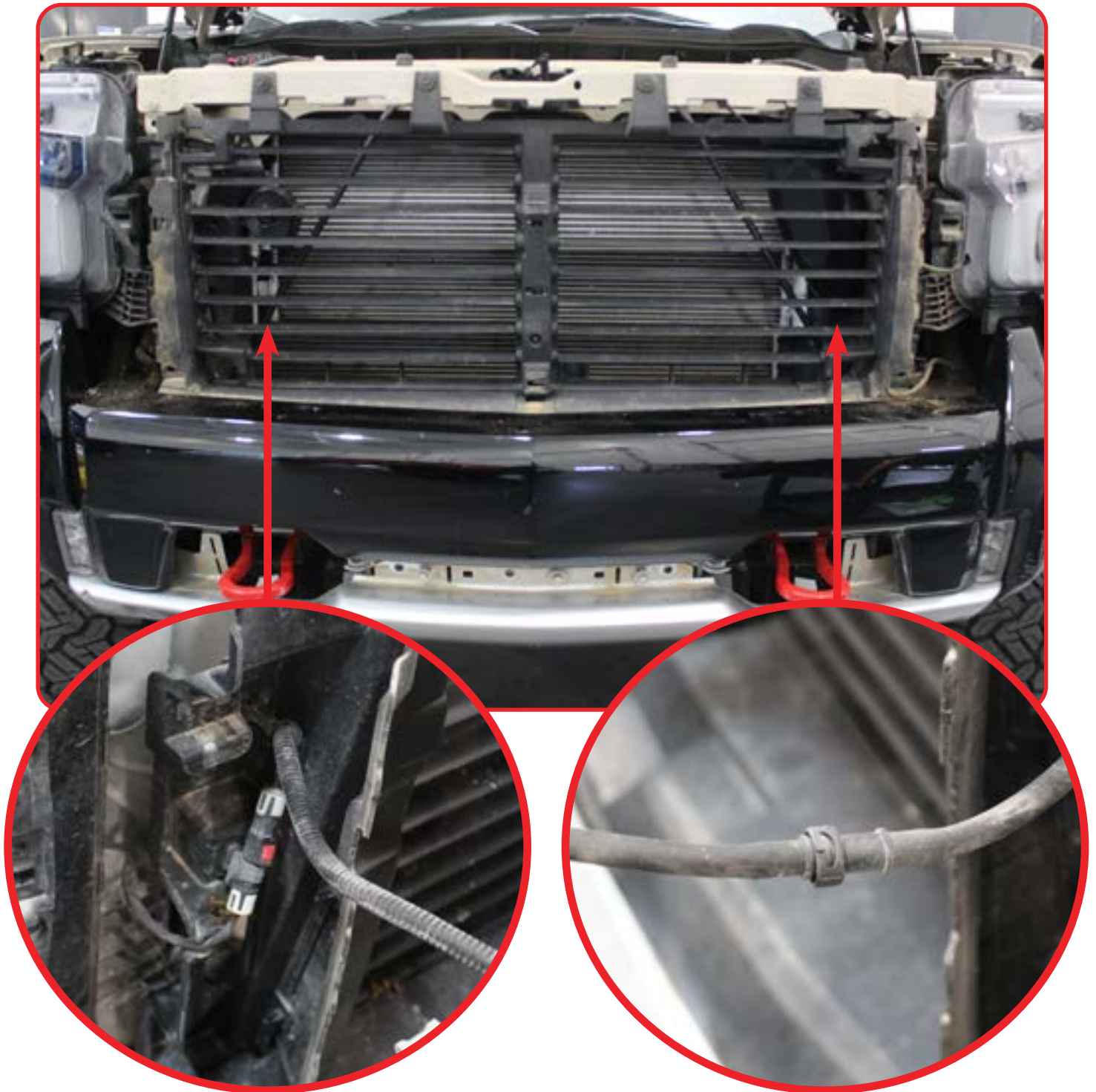


STEALTH FIGHTER FRONT BUMPER 2025-UP CHEVY SILVERADO ZR2

OEM REMOVAL

□ STEP 4

Unplug the front camera and the washer fluid line to remove the grill.

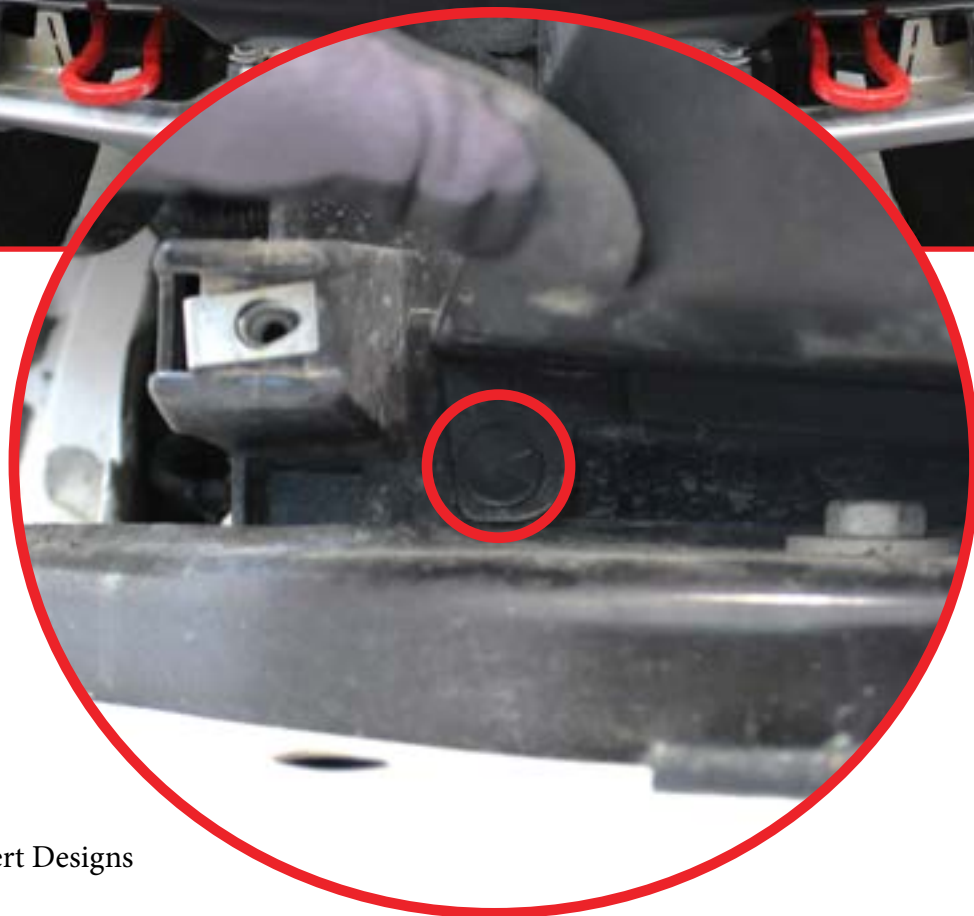


STEALTH FIGHTER FRONT BUMPER 2025-UP CHEVY SILVERADO ZR2

OEM REMOVAL

□ STEP 5

Using a (fastener remover), remove the push pins holding the plastic flashing as shown below. (Keep hardware)



STEALTH FIGHTER FRONT BUMPER 2025-UP CHEVY SILVERADO ZR2

OEM REMOVAL

□ STEP 6

Unplug the main wiring harness plug, it's located on the passenger side above the bumper.



STEALTH FIGHTER FRONT BUMPER 2025-UP CHEVY SILVERADO ZR2

OEM REMOVAL

□ STEP 7

Using a (13mm socket), remove the 6x skid plate bolts as shown below. **(Keep hardware)**



STEALTH FIGHTER FRONT BUMPER 2025-UP CHEVY SILVERADO ZR2

OEM REMOVAL

□ STEP 8

Using a (3/4 socket), remove the 4x OEM bolts located on top of the bumper.

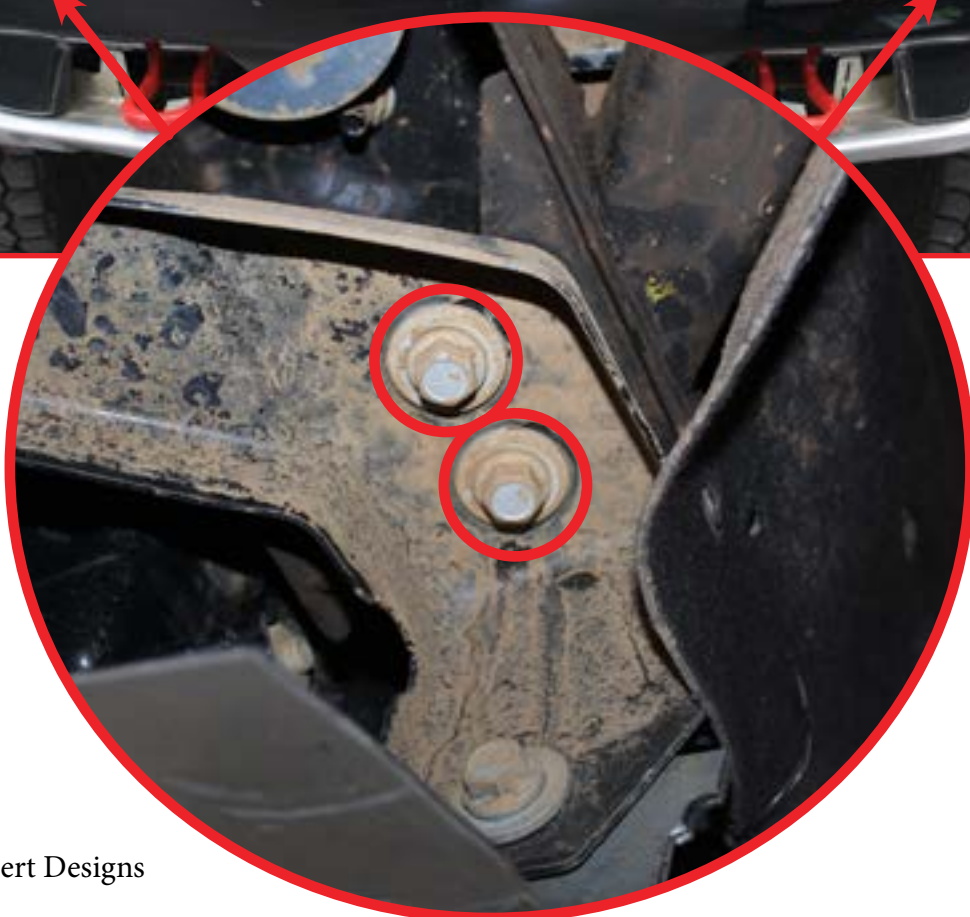


STEALTH FIGHTER FRONT BUMPER 2025-UP CHEVY SILVERADO ZR2

OEM REMOVAL

□ STEP 9

Using a (5/8 socket), remove the bumper supports located under the bumper.

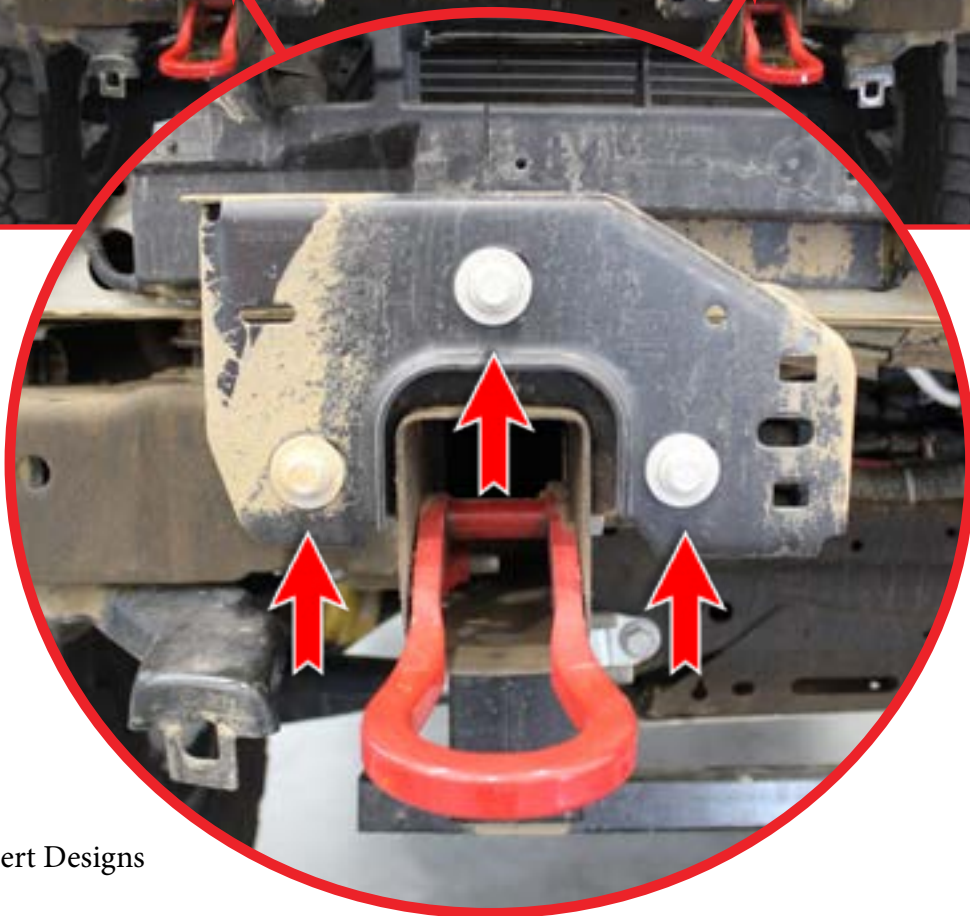


STEALTH FIGHTER FRONT BUMPER 2025-UP CHEVY SILVERADO ZR2

OEM REMOVAL

□ STEP 10

Using a (15mm socket), remove the 6x bumper mounting bracket bolts.

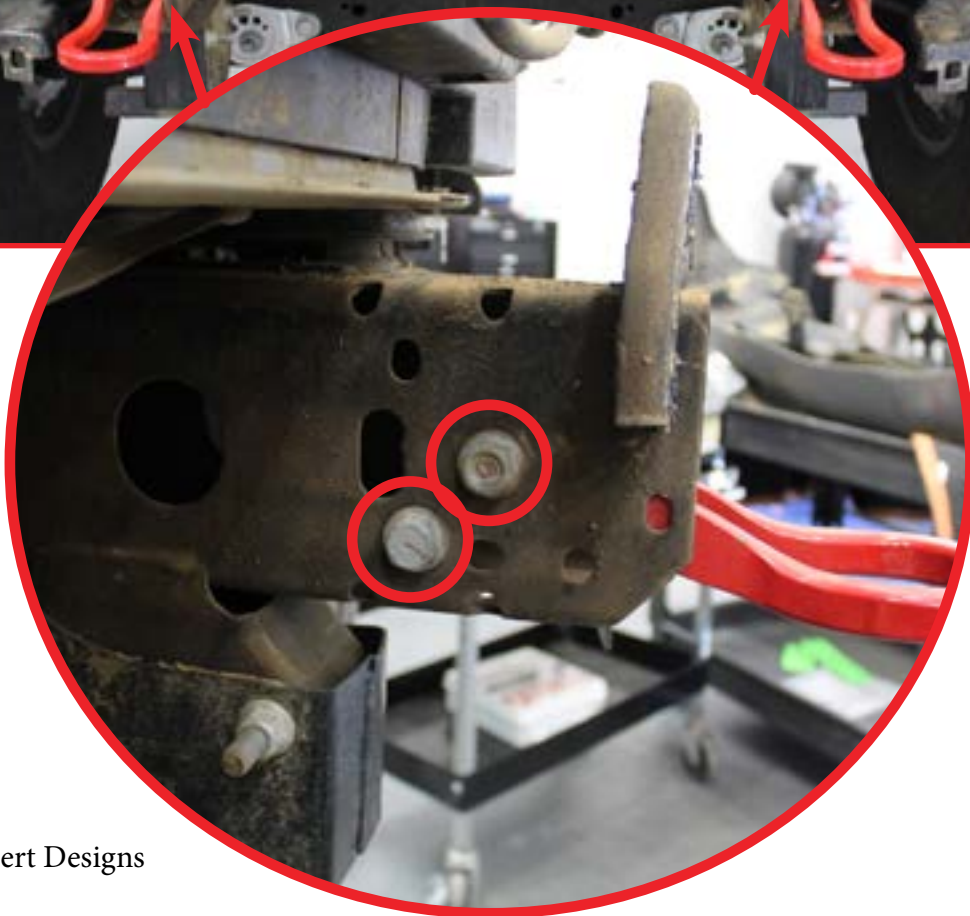


STEALTH FIGHTER FRONT BUMPER 2025-UP CHEVY SILVERADO ZR2

OEM REMOVAL

□ STEP 11

Using a (3/4 socket) remove the 4x tow hook mounting bolts. (Re-install the grill and valence by reversing steps 1-5)

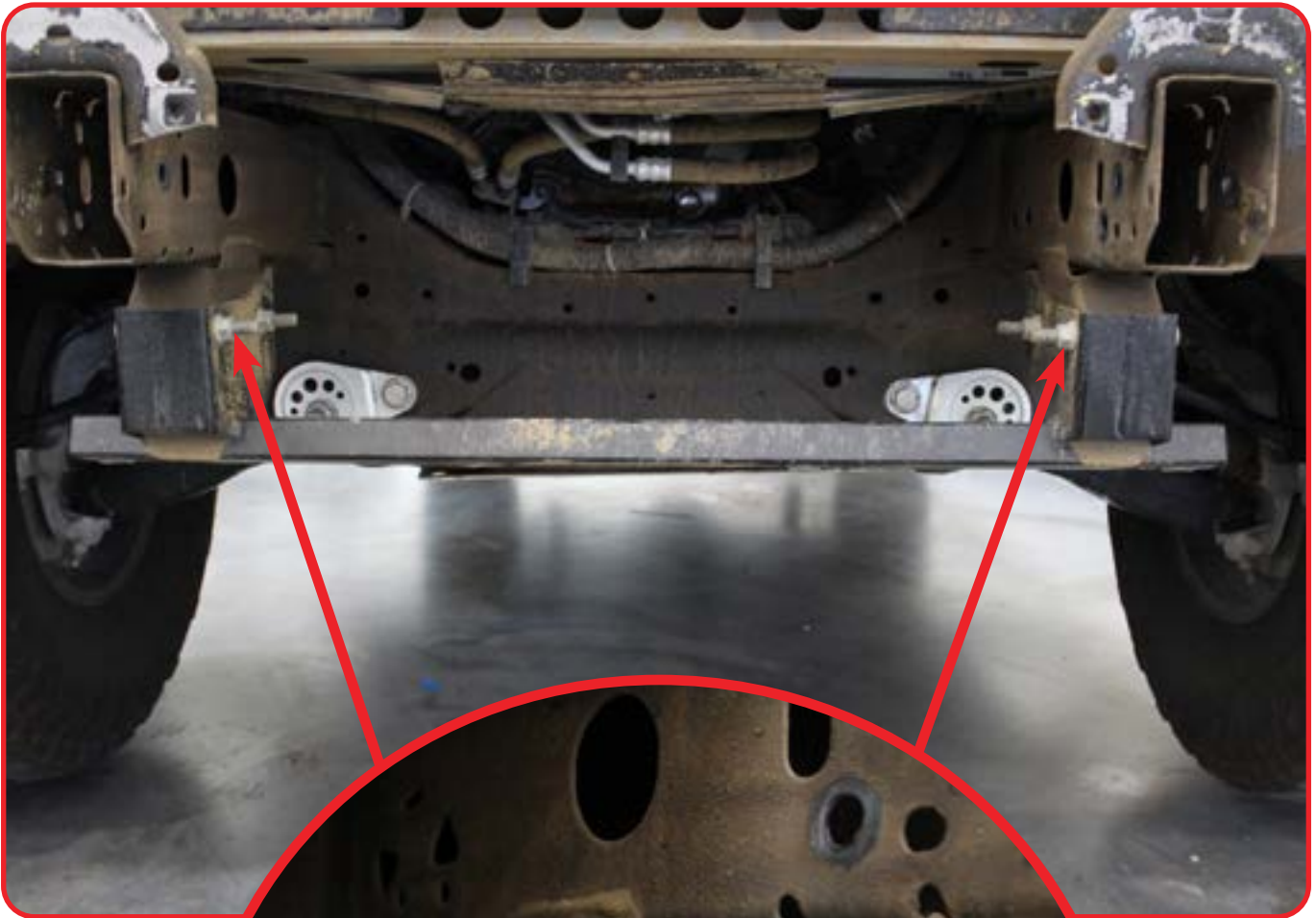


STEALTH FIGHTER FRONT BUMPER 2025-UP CHEVY SILVERADO ZR2

OEM REMOVAL

□ STEP 12

Using a (3/4 socket) and a (3/4 wrench) remove the 4x skid plate mounting bracket bolts.



STEALTH FIGHTER FRONT BUMPER 2025-UP CHEVY SILVERADO ZR2

OEM REMOVAL

□ STEP 13

Remove the (6) plastic retaining clips located in the areas indicated below to release the plastic cover.

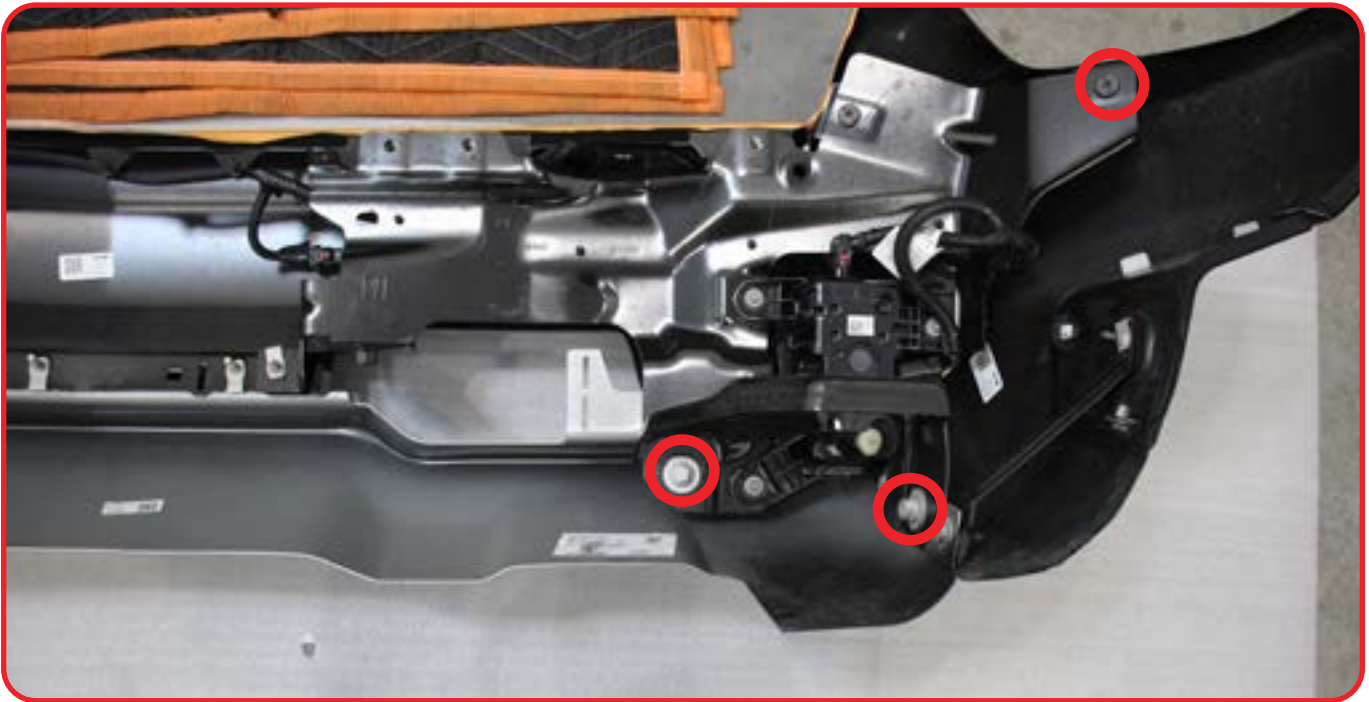


STEALTH FIGHTER FRONT BUMPER 2025-UP CHEVY SILVERADO ZR2

OEM REMOVAL

□ STEP 14

Remove (4) bolts indicated below using a 13mm, 15mm and a T40 torx.
(Repeat on other side).

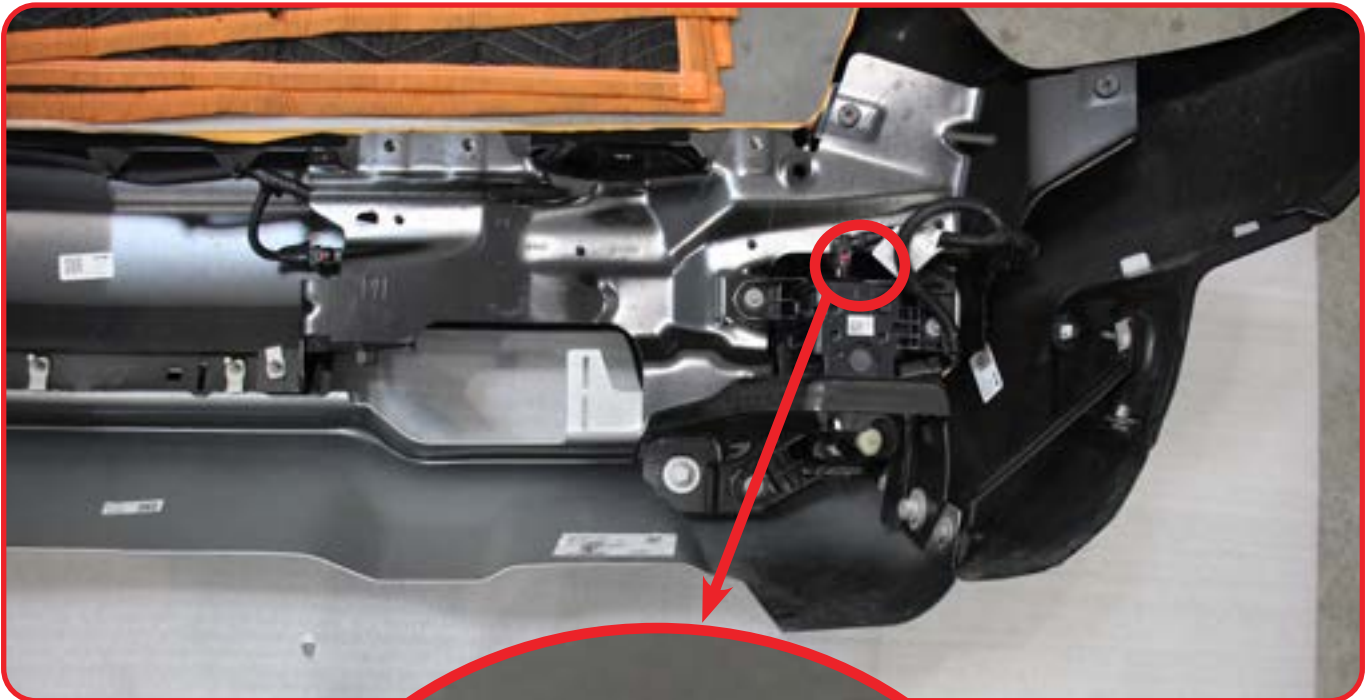


STEALTH FIGHTER FRONT BUMPER 2025-UP CHEVY SILVERADO ZR2

OEM REMOVAL

□ STEP 15

Release the plug located at the top of the fog light. You can now remove the fog light.
(Repeat on other side).



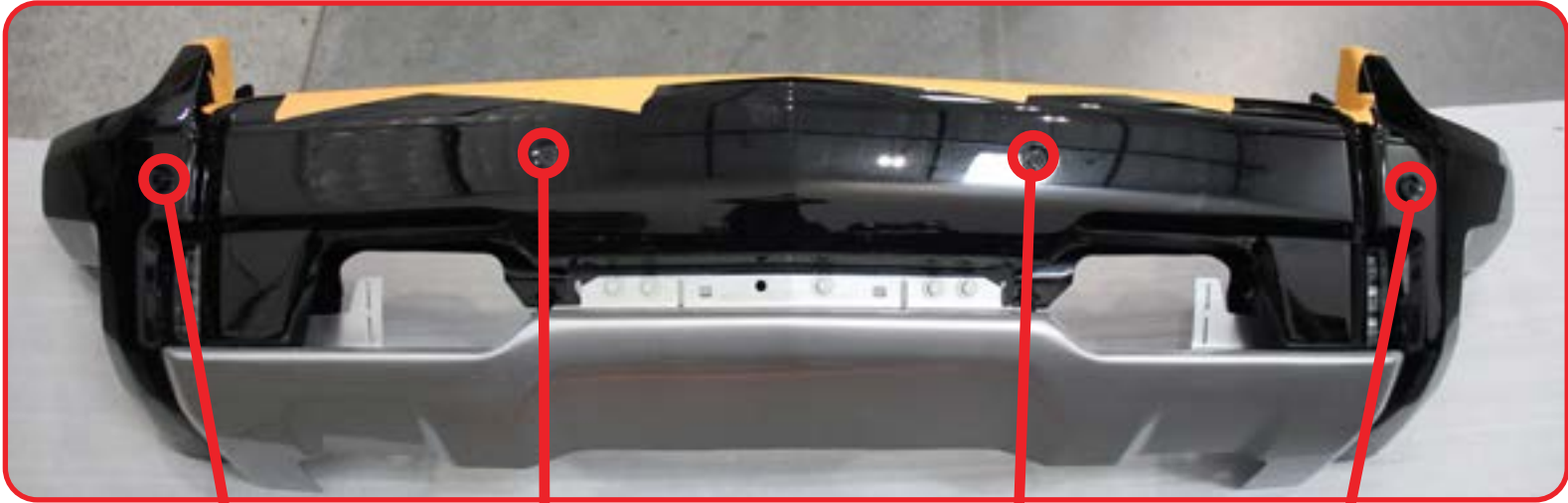
STEALTH FIGHTER FRONT BUMPER 2025-UP CHEVY SILVERADO ZR2

OEM REMOVAL

□ STEP 16

With all sensors now exposed carefully removed each sensor by gently prying the top and bottom tabs outward while pushing the sensor in from the face side of the bumper.

(These sensor bezels are extremely brittle so use extreme caution.)



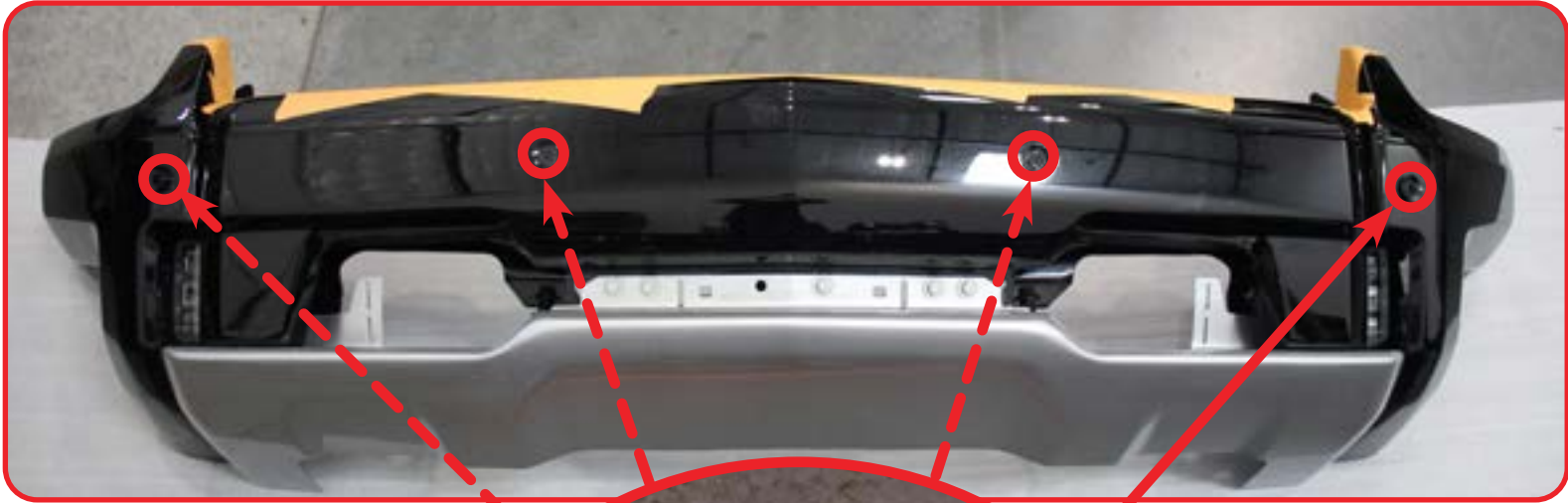
STEALTH FIGHTER FRONT BUMPER 2025-UP CHEVY SILVERADO ZR2

OEM REMOVAL

□ STEP 17

With all sensors removed depress the top and bottom tabs on the sensor bezel and push outwards towards the face of the bumper. You can now remove the front bumper wire harness.

(These sensor bezels are extremely brittle so use extreme caution.)



STEALTH FIGHTER FRONT BUMPER 2025-UP CHEVY SILVERADO ZR2

WINCH INSTALL

STEP 18

If you purchased the winch kit, install it now. **(IF NOT, SKIP TO STEP 23 TO FINISH THE INSTALL)**

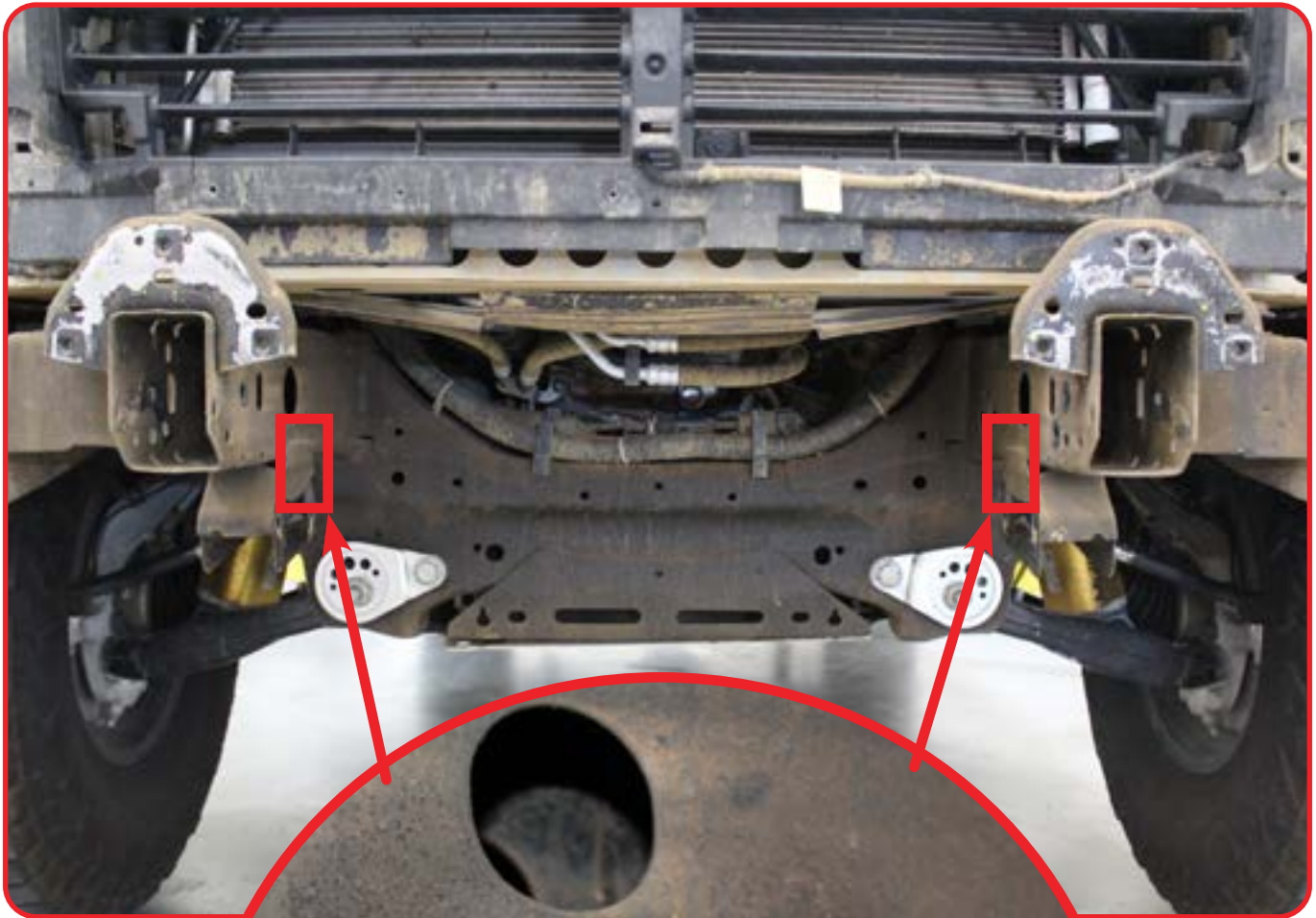


STEALTH FIGHTER FRONT BUMPER 2025-UP CHEVY SILVERADO ZR2

WINCH INSTALL

□ STEP 19

Using a (grinder), grind the welds flush located on the inside of the support brackets for the skid plate as shown below.



STEALTH FIGHTER FRONT BUMPER 2025-UP CHEVY SILVERADO ZR2

WINCH INSTALL

□ STEP 20

Install the winch to the mount as shown below with the provided hardware that came with the winch.

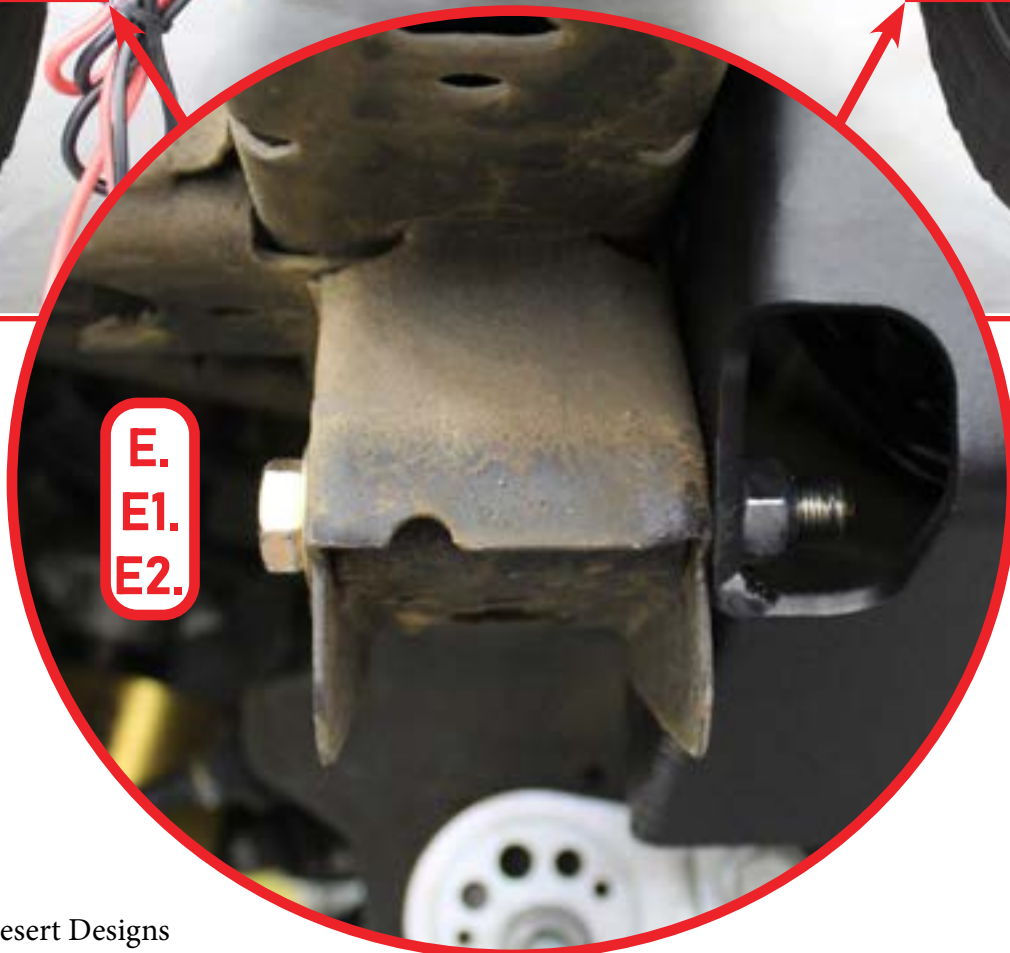
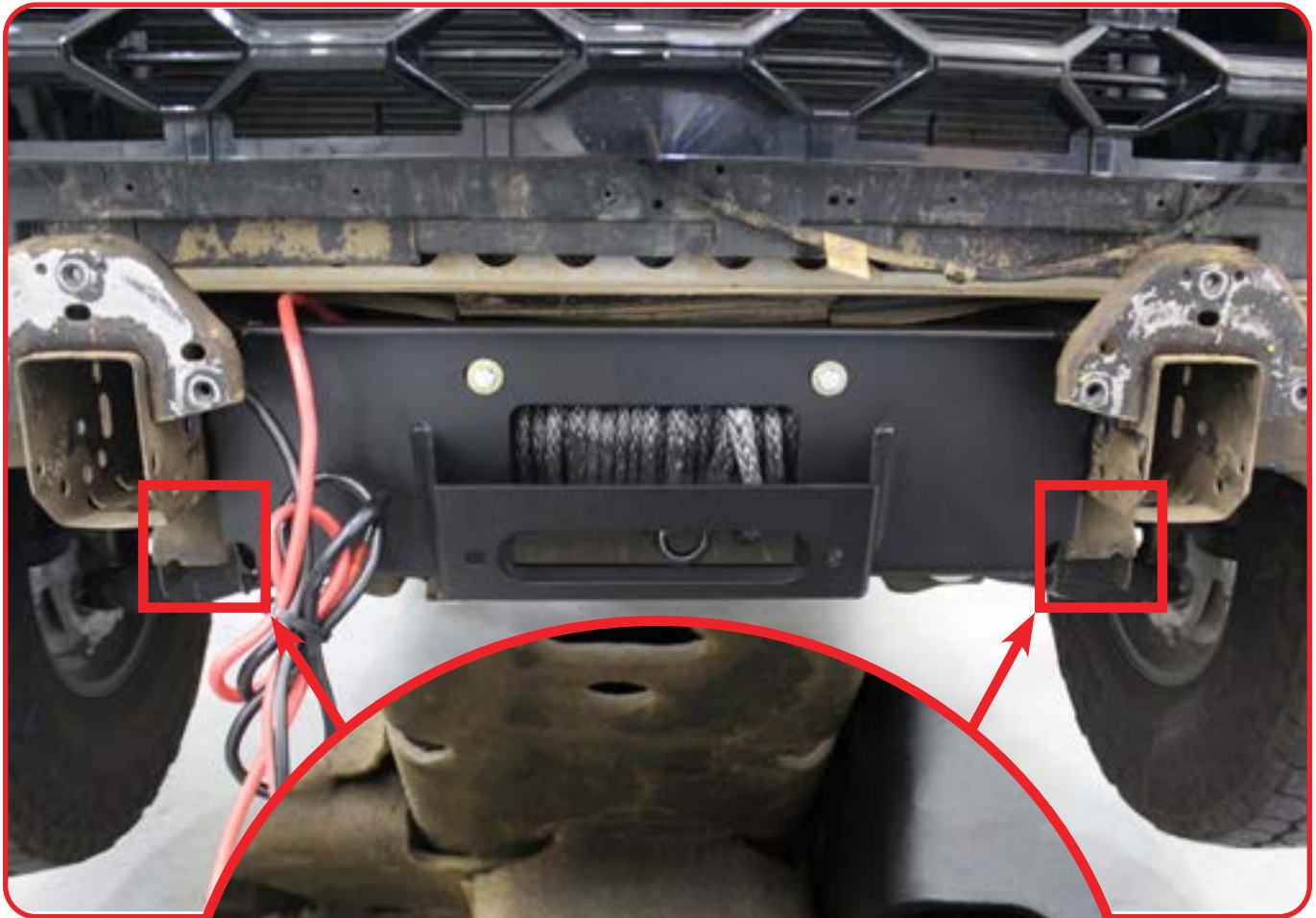


STEALTH FIGHTER FRONT BUMPER 2025-UP CHEVY SILVERADO ZR2

WINCH INSTALL

□ STEP 21

With the help from another installer, use a (3/4 wrench) and a (3/4 socket) install the winch mount with the provided **(E, E1, E2)** 1/2-20 X 4" hex head bolt, 1/2" flat washer, and 1/2-20" Nylon lock nut.

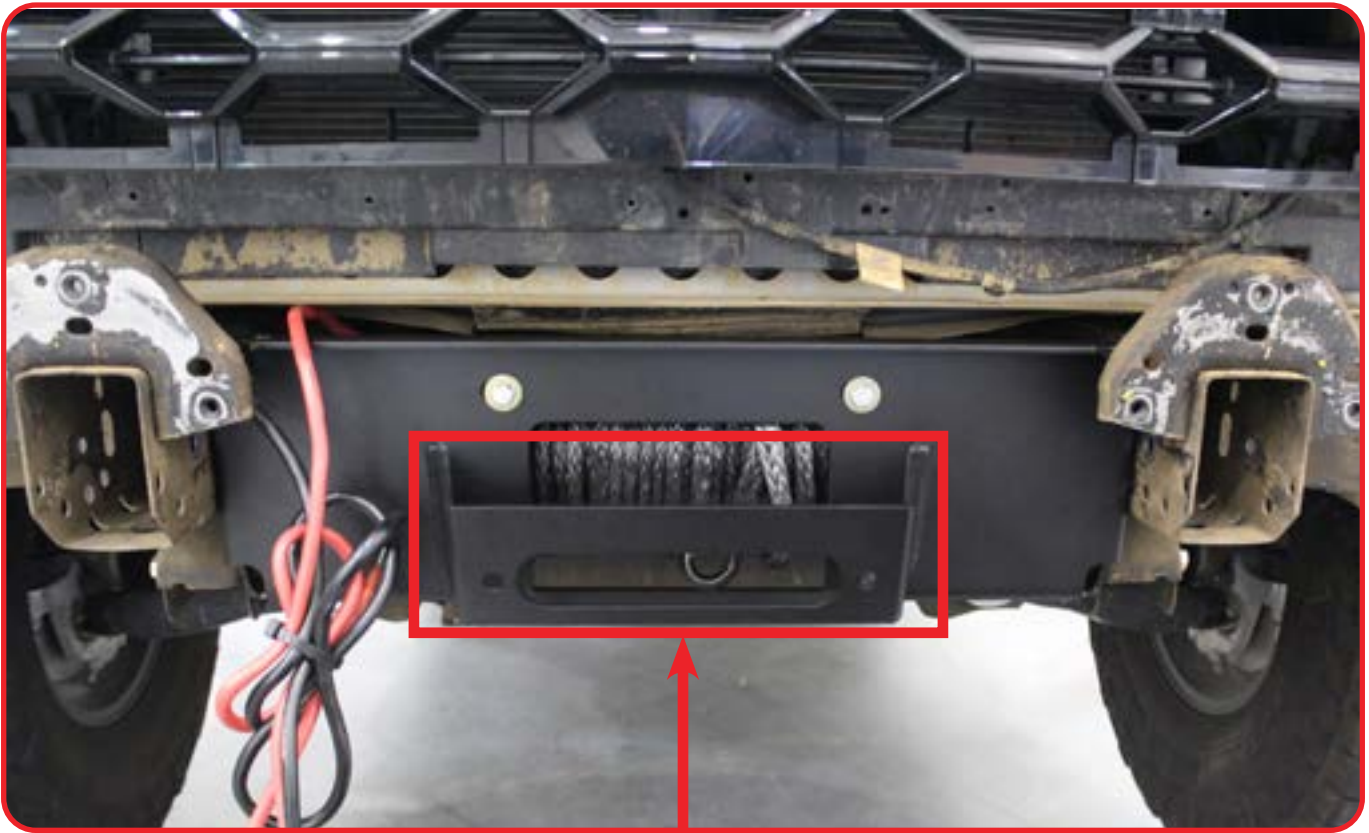


STEALTH FIGHTER FRONT BUMPER 2025-UP CHEVY SILVERADO ZR2

WINCH INSTALL

□ STEP 22

Install your fairlead with the provided bolts as shown below using a (8mm allen) and a (3/4 wrench).

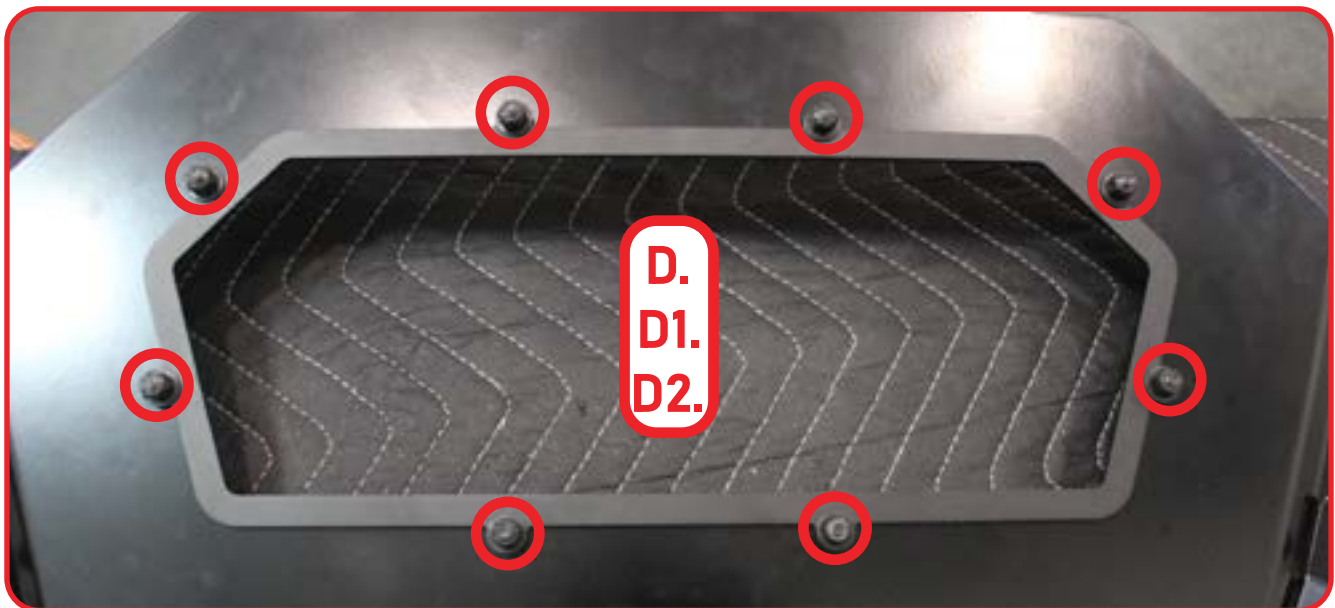


STEALTH FIGHTER FRONT BUMPER 2025-UP CHEVY SILVERADO ZR2

WINCH INSTALL

□ STEP 23

Using a (5/32 allen) and a (7/16 wrench), remove the backer plate on the stealth fighter skid plate. With the provided (**D, D1, D2**) 1/4-20 X 3/4" button head bolts, 1/4" flat washers, and 1/4-20" nylon lock nut install the backer for the winch kit on the backside of the skid plate as shown below.



STEALTH FIGHTER FRONT BUMPER 2025-UP CHEVY SILVERADO ZR2

BUMPER INSTALL

□ STEP 24

Install the mounting brackets to the frame horns using a (15mm socket) with the hardware removed from step 10.

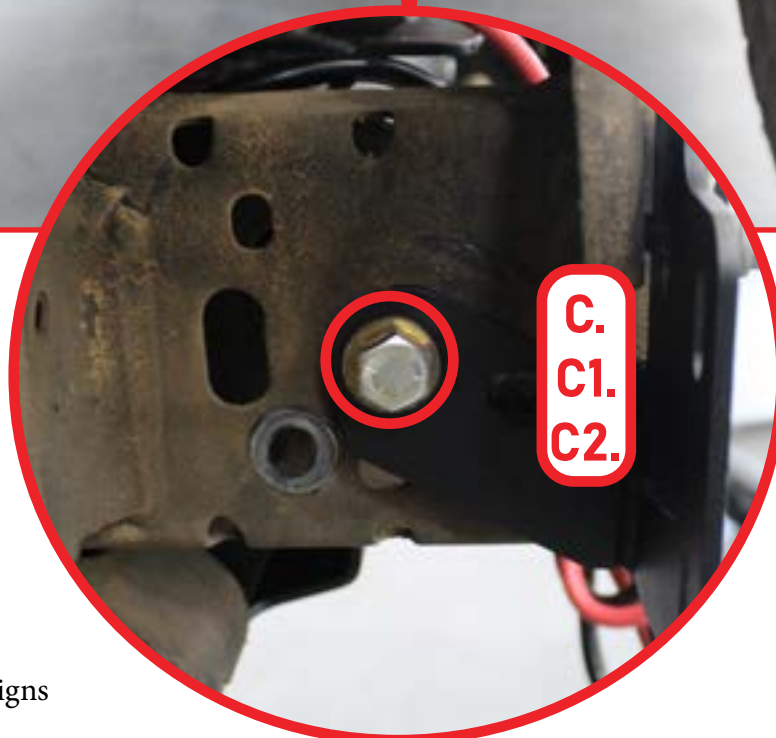
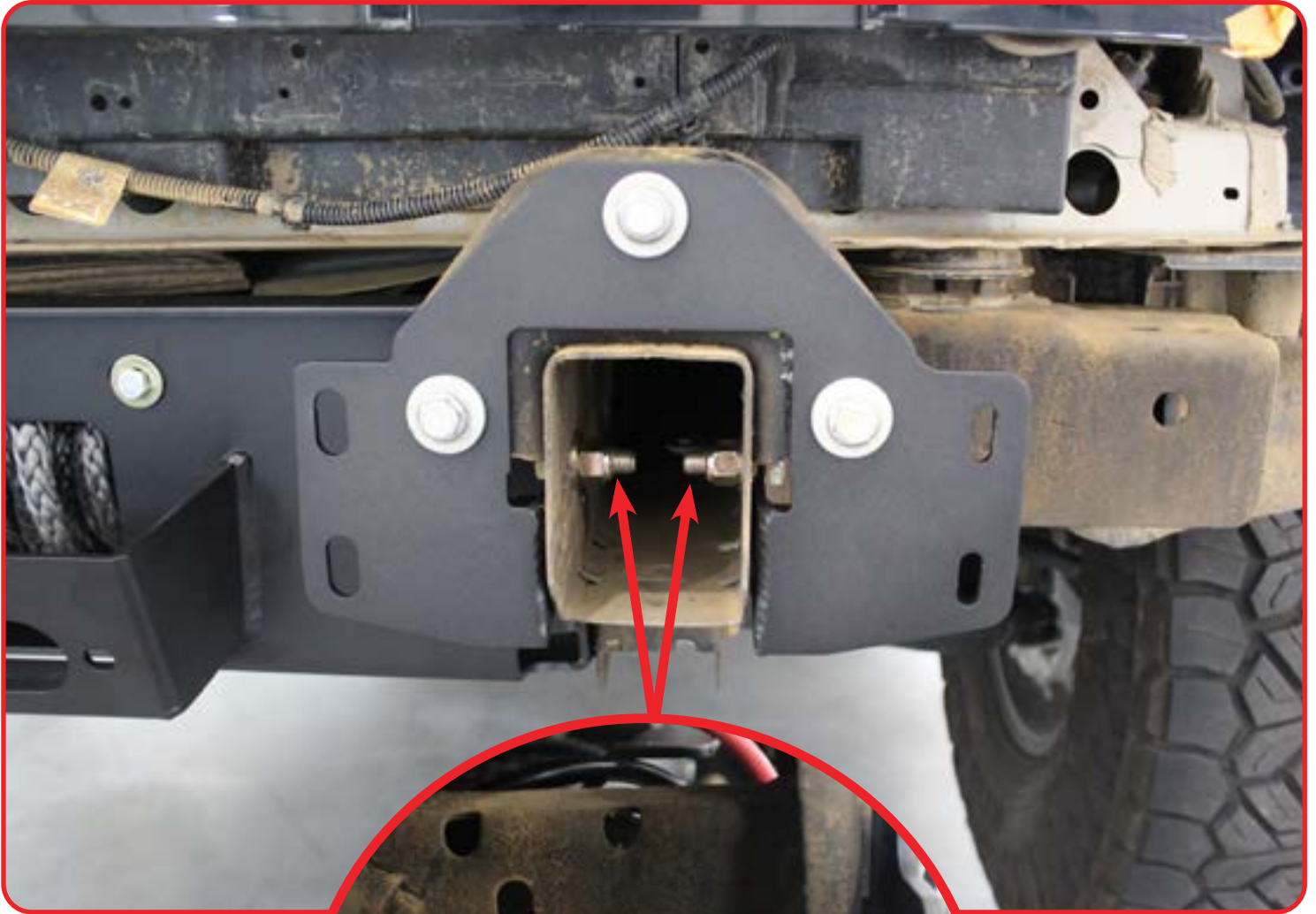


STEALTH FIGHTER FRONT BUMPER 2025-UP CHEVY SILVERADO ZR2

BUMPER INSTALL

□ STEP 25

Using a (3/4" wrench) and a (3/4" socket), use the provided **(C, C1, C2)** 1/2-13 X 1 1/2" hex head bolt, 1/2-13" nylon lock nut, and 1/2" flat washer for the sides on the mounting plate shown below.



STEALTH FIGHTER FRONT BUMPER 2025-UP CHEVY SILVERADO ZR2

BUMPER INSTALL

□ STEP 26

Using the provided (8) 36" wire extensions, (16) heat shrink solder connectors, and split loom, sequentially splice each of the 8 wire harness wires in the specific location indicated below then reloom the wire harness.

(Do one wire at a time to avoid any confusion and connecting the wrong wires.)



STEALTH FIGHTER FRONT BUMPER 2025-UP CHEVY SILVERADO ZR2

BUMPER INSTALL

□ STEP 27

Flip the outermost sensor bezel from the driver side 150 degrees and install into the keyed slots. Ensure the sensor plug is pointing to the inside of the bumper.

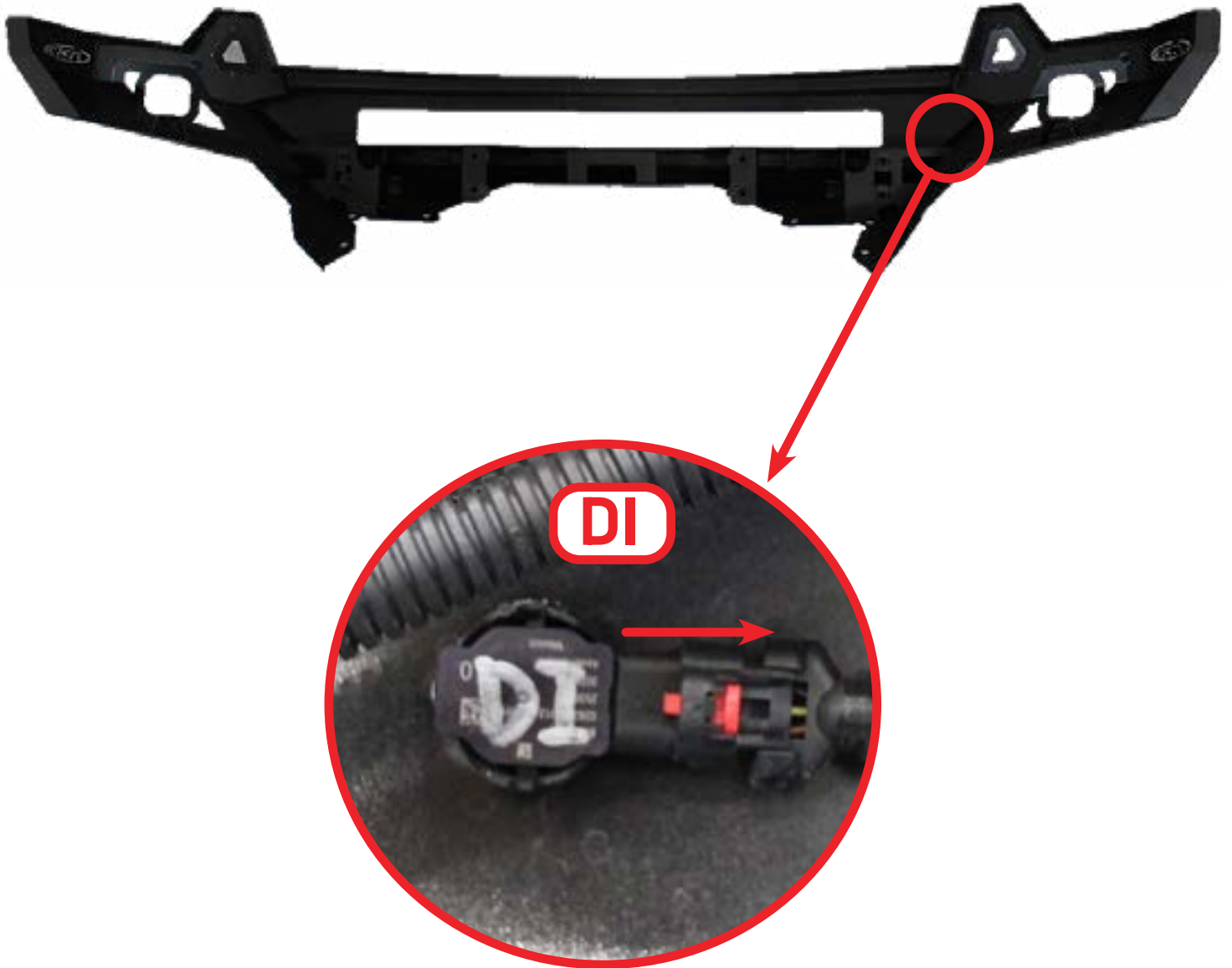


STEALTH FIGHTER FRONT BUMPER 2025-UP CHEVY SILVERADO ZR2

BUMPER INSTALL

□ STEP 28

Swap the parking sensor bezel from the Passenger Inner to the Driver Inner location and then install into the keyed slots. Be sure to keep the Driver Inner Parking Sensor still in this location and install with the plug pointing to the outside of the bumper.

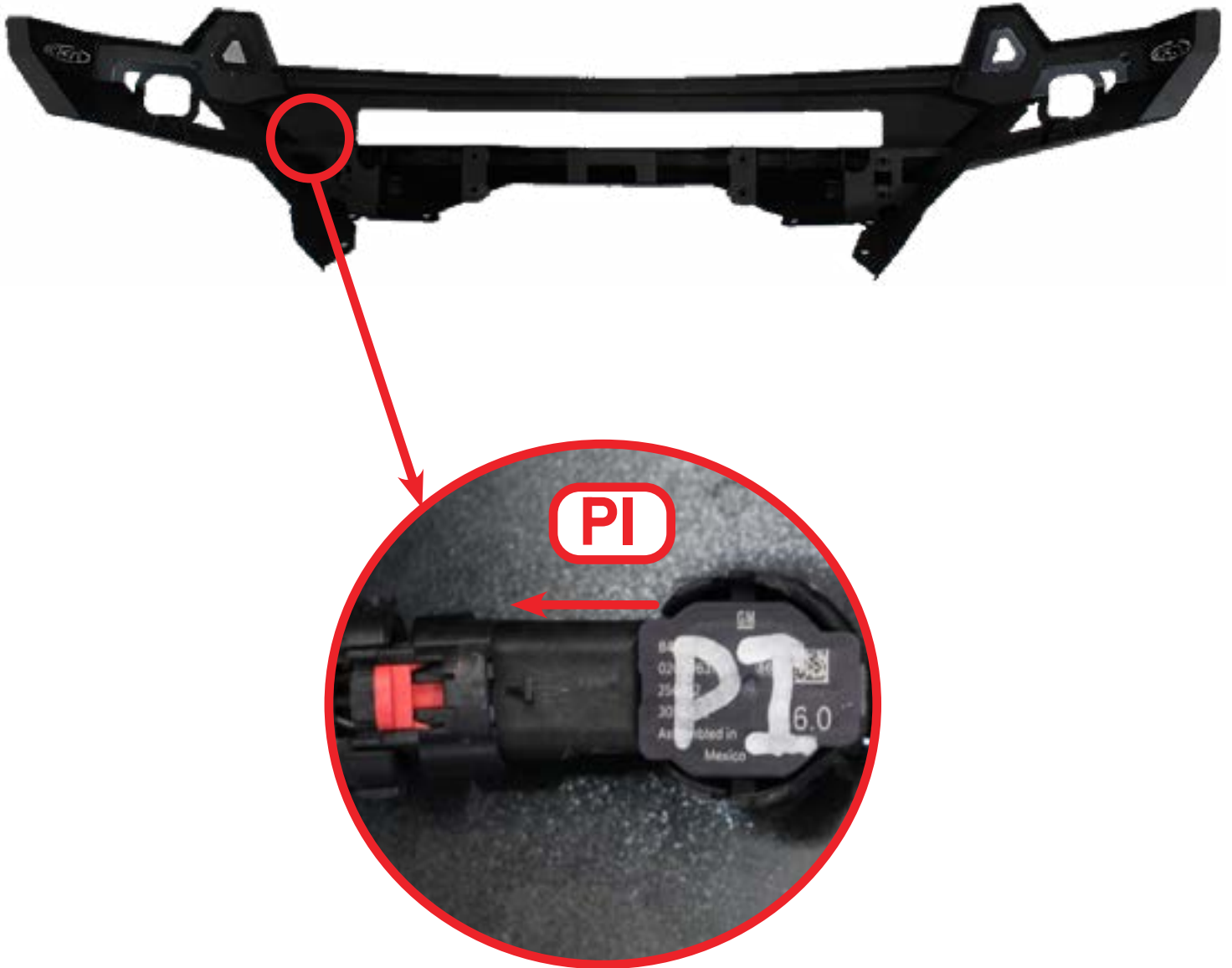


STEALTH FIGHTER FRONT BUMPER 2025-UP CHEVY SILVERADO ZR2

BUMPER INSTALL

□ STEP 29

Swap the parking sensor bezel from the Driver Inner to the Passenger Inner location and then install into the keyed slots. Be sure to keep the Passenger Inner Parking Sensor still in this location and install with the plug pointing to the outside of the bumper.

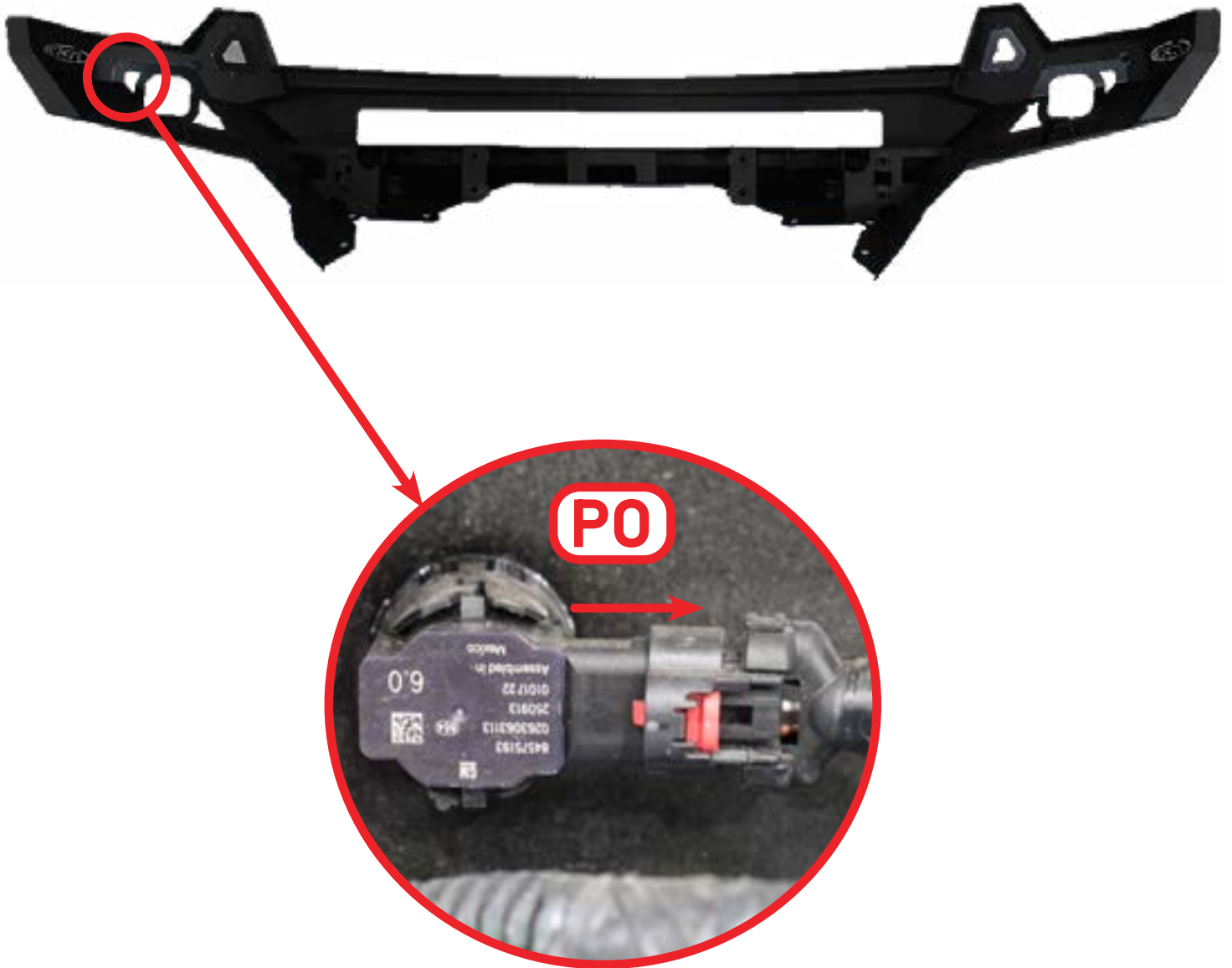


STEALTH FIGHTER FRONT BUMPER 2025-UP CHEVY SILVERADO ZR2

BUMPER INSTALL

□ STEP 30

Flip the outermost sensor bezel from the passenger side 150 degrees and install into the keyed slots. Ensure the sensor plug is pointing to the inside of the bumper.

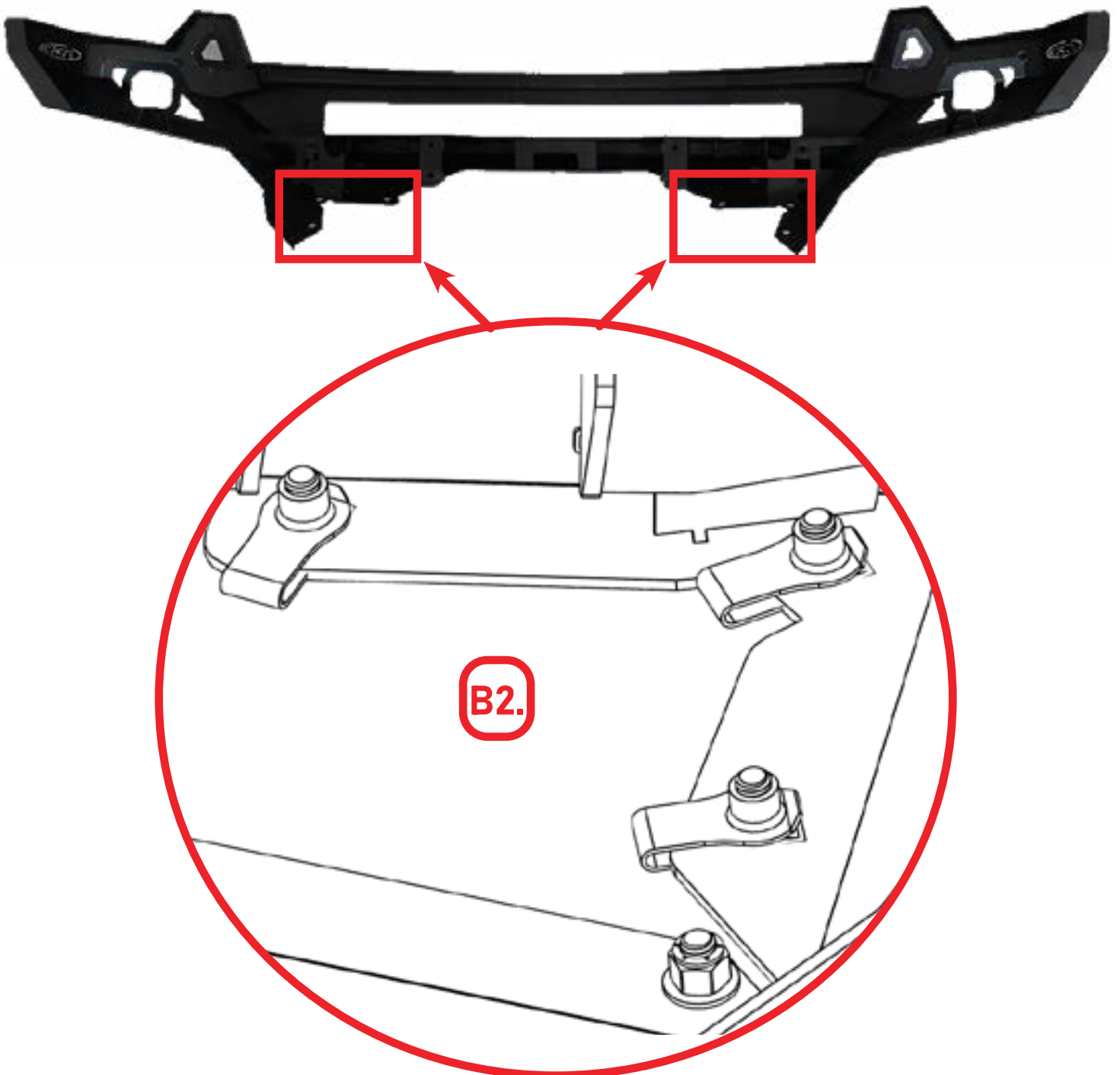


STEALTH FIGHTER FRONT BUMPER 2025-UP CHEVY SILVERADO ZR2

BUMPER INSTALL

□ STEP 31

Install the 6x provided **(B2)** 3/8-16" Long u-nuts in the mounting holes for the skid plate as shown below.

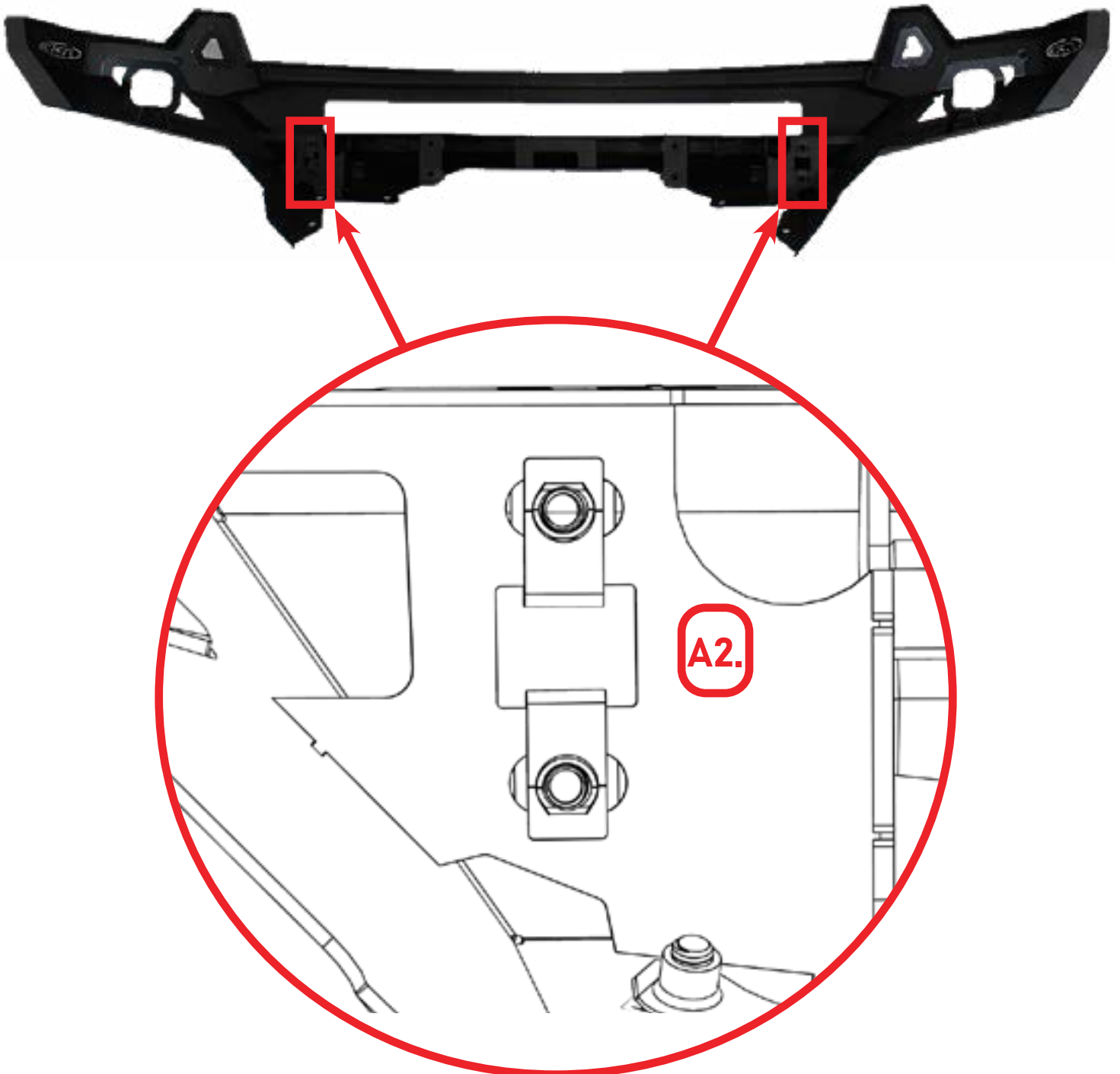


STEALTH FIGHTER FRONT BUMPER 2025-UP CHEVY SILVERADO ZR2

BUMPER INSTALL

□ STEP 32

Install the 4x provided **(A2)** 3/8-16" short u-nuts in the outer mounting slots as shown below.

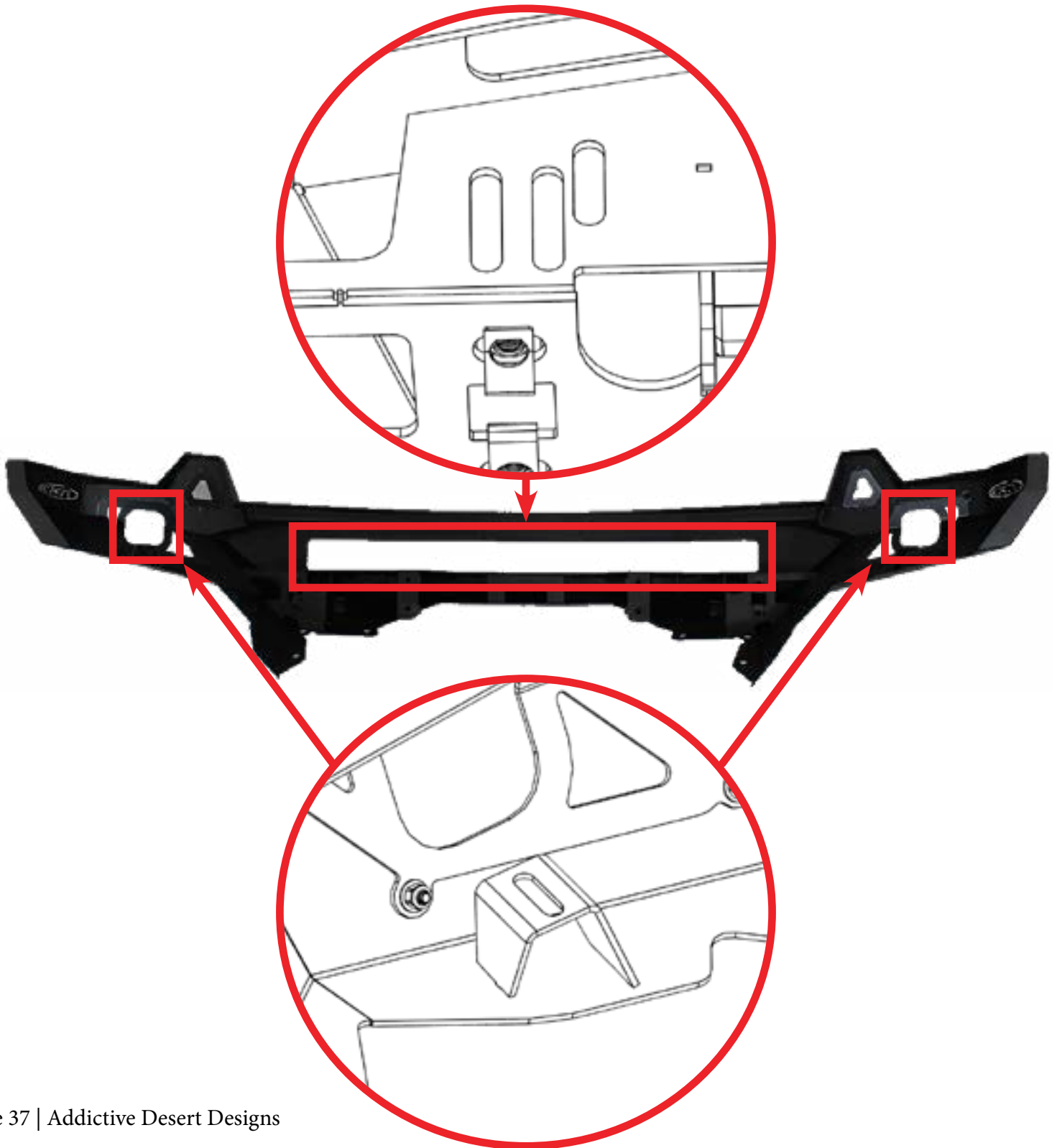


STEALTH FIGHTER FRONT BUMPER 2025-UP CHEVY SILVERADO ZR2

BUMPER INSTALL

□ STEP 33

Install your lights now before continuing to the next step.

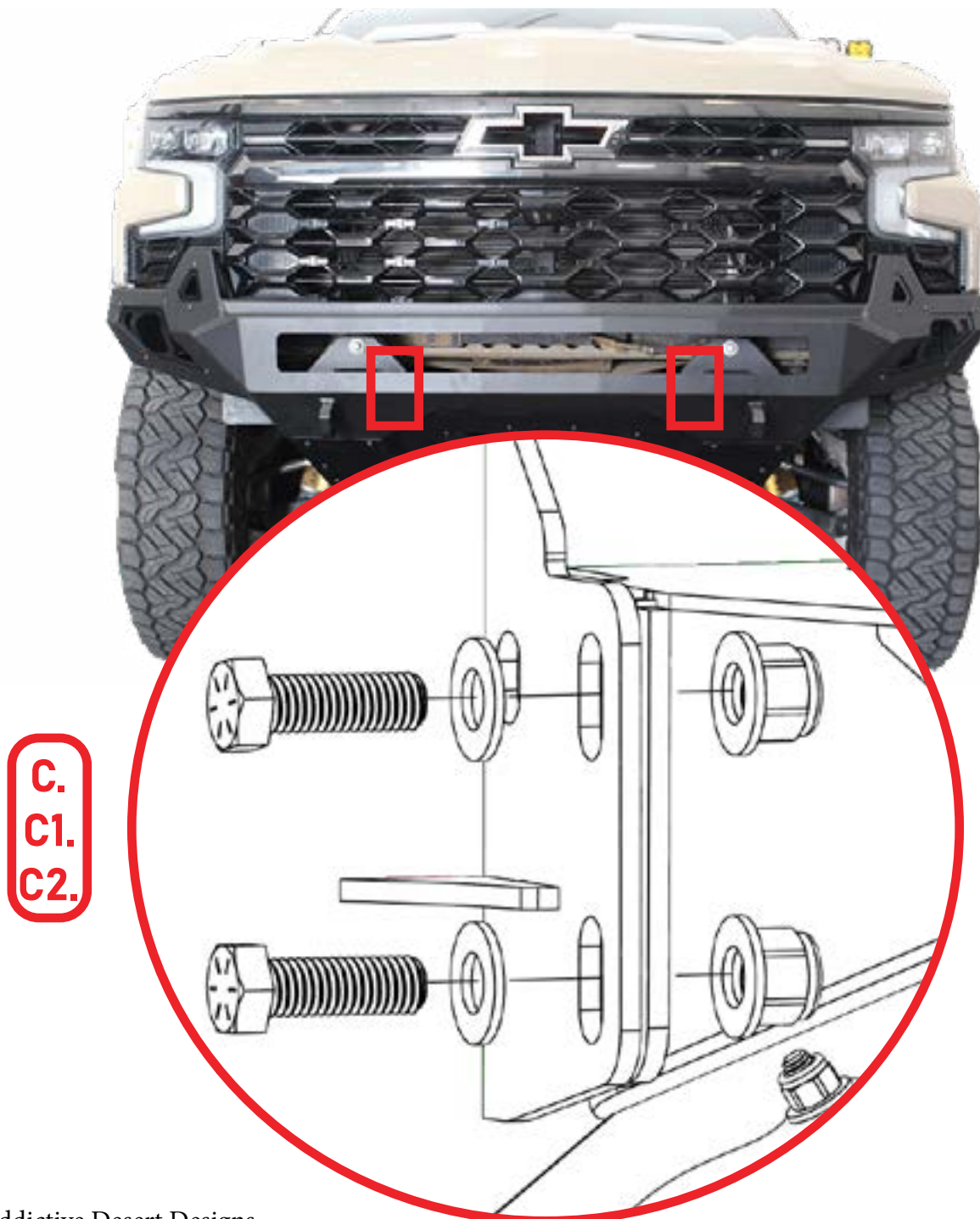


STEALTH FIGHTER FRONT BUMPER 2025-UP CHEVY SILVERADO ZR2

BUMPER INSTALL

□ STEP 34

Using a (3/4 socket) and a (3/4 wrench), **With the skid plate removed**, install the stealth fighter front bumper with the provided **(C, C1, C2)** 1/2-13 X 1 1/2 hex head bolts, 1/2" flat washers, and 1/2-13" nylon lock nut on the **inside** mounting holes as shown below.

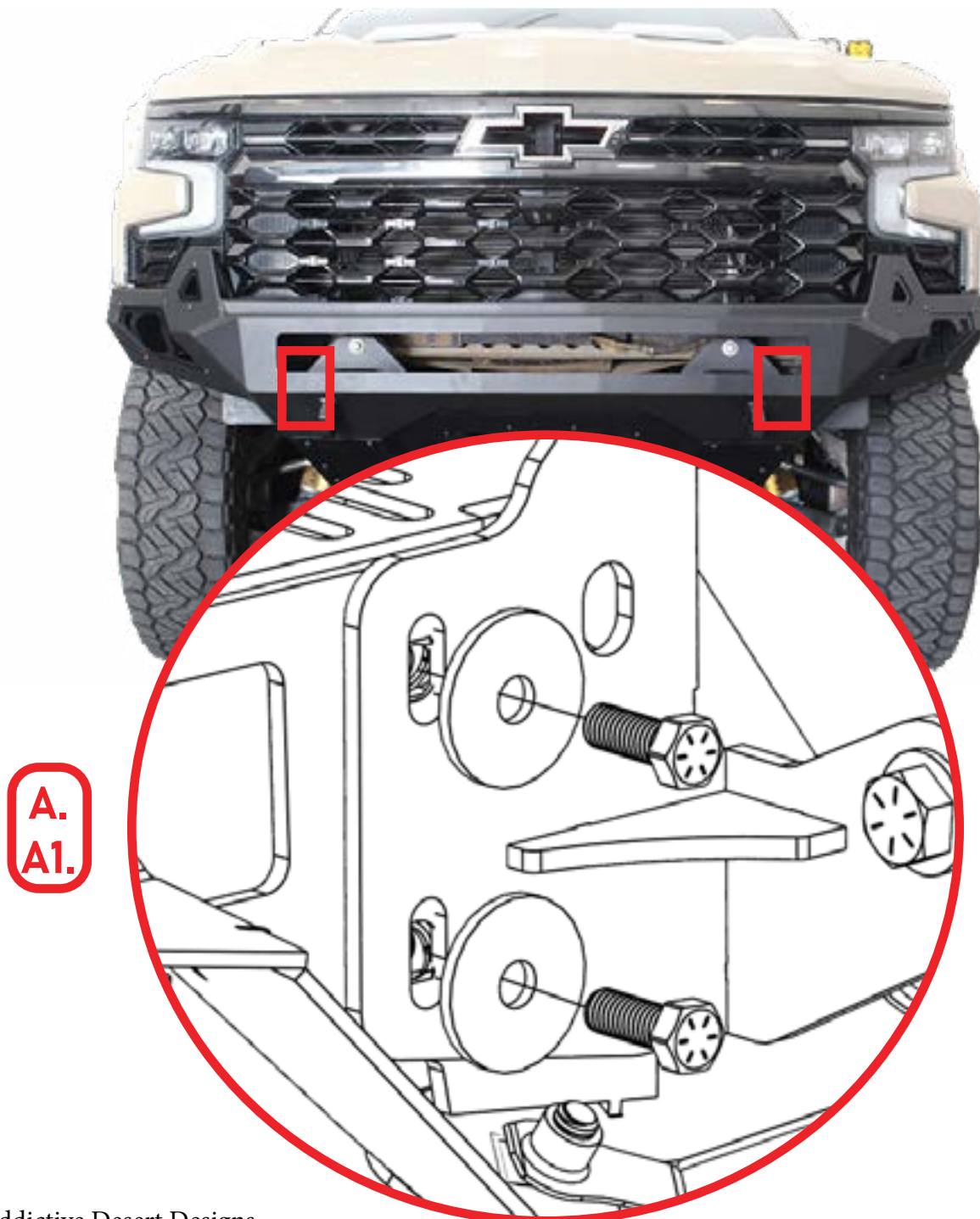


STEALTH FIGHTER FRONT BUMPER 2025-UP CHEVY SILVERADO ZR2

BUMPER INSTALL

□ STEP 35

Using a (9/16 socket), install with the provided (A, A1) 3/8-16 X 1 1/4" hex head bolts, and 3/8" flat washers, on the **outside** mounting holes as shown below.

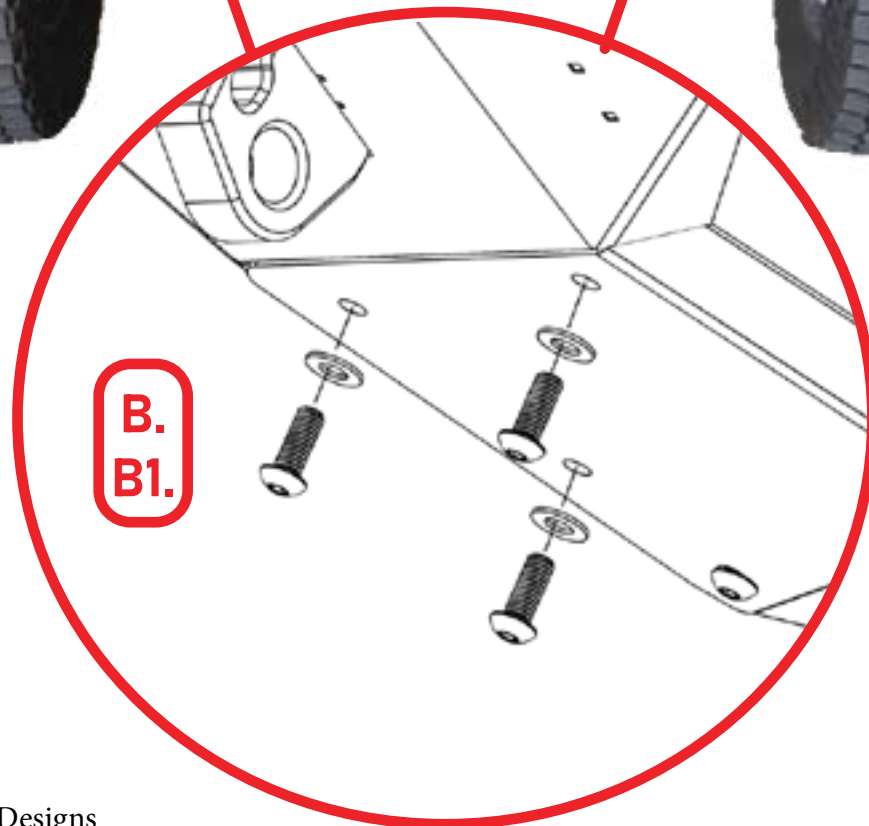
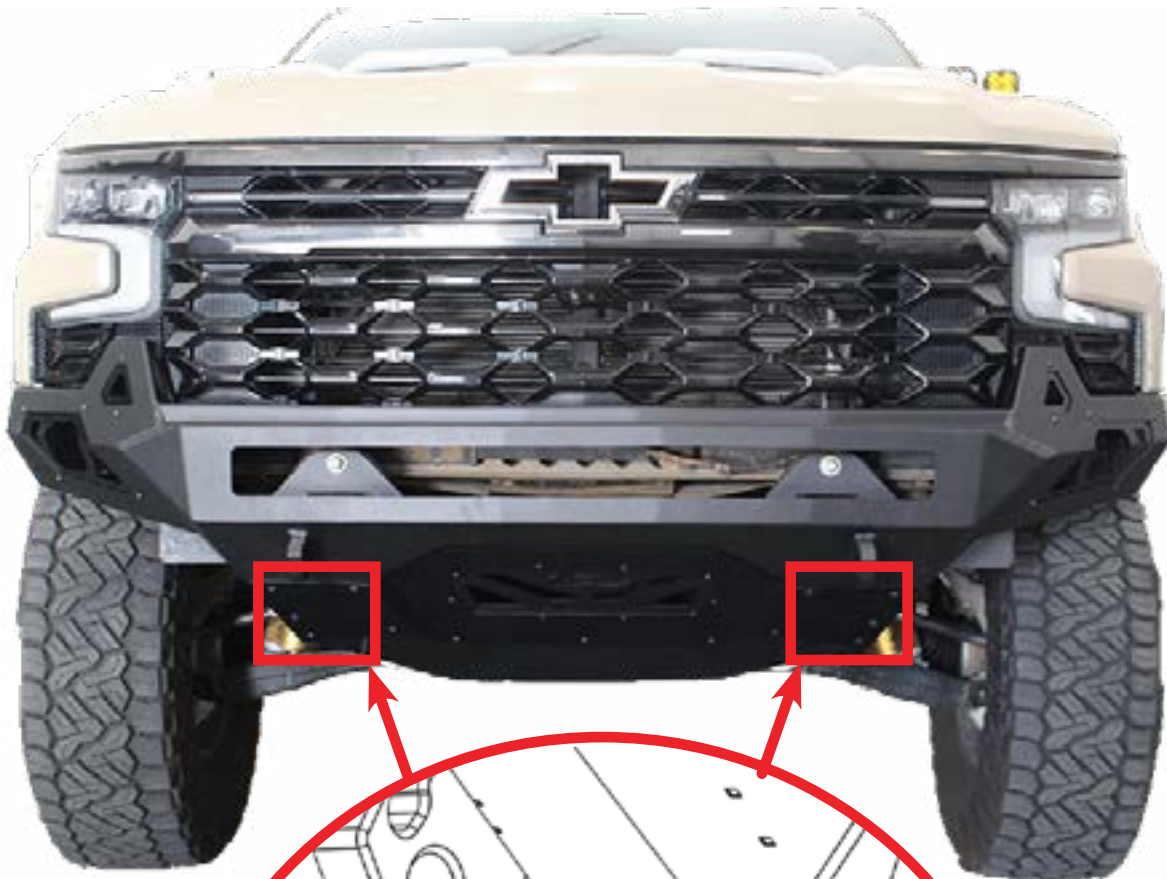


STEALTH FIGHTER FRONT BUMPER 2025-UP CHEVY SILVERADO ZR2

BUMPER INSTALL

□ STEP 36

Using a (7/32 allen) install the skid plate with the provided **(B, B1)** 3/8-16 X 1" button head bolts, and 1/4" flat washers into the u-nuts installed in **step 15**.



STEALTH FIGHTER FRONT BUMPER 2025-UP CHEVY SILVERADO ZR2

BUMPER INSTALL

□ STEP 37

Using a (13mm socket) install 2x skid plate bolts removed from step 7.



STEALTH FIGHTER FRONT BUMPER 2025-UP CHEVY SILVERADO ZR2

BUMPER INSTALL

□ STEP 38

Trim the inner wheel well using a (razor blade/scissors) as shown below.



STEALTH FIGHTER FRONT BUMPER 2025-UP CHEVY SILVERADO ZR2

FINAL

□ STEP 39

Stand back and enjoy your new ADD Stealth Fighter Front Bumper.

Check and re-tighten, if needed, all mounting bolts after 100 miles and periodically thereafter.



THIS PRODUCT IS PROTECTED BY ONE OR MORE U.S. PATENTS
WWW.ADDICTIVEDESERTDESIGNS.COM/PATENTS

FOR ADDITIONAL SUPPORT OR TECHNICAL QUESTIONS,
PLEASE CALL 480-671-0820 OR
EMAIL INFO@ADDICTIVEDESERTDESIGNS.COM