

2024/FORD F-150 RAPTOR

SHUTTER MOTOR RELOCATION KIT

AC1300900NA



TOOLS REQUIRED

(Allen) HW4
(Wrench) 3/8



TIME REQUIRED

10 Minutes



SKILL LEVEL

Easy/Intermediate



INCLUDED IN KIT

- (1) 10-24 X 1.25 Socket Head Cap Screw
- (4) 10-24 Nylon Washer
- (2) 10-24 Nylon Lock Nut

⚠️ WARNINGS/CAUTIONS BEFORE STARTING INSTALLATION ⚠️

-BEFORE YOU INSTALL THIS KIT-

Read and understand all instructions, warnings, cautions, & notes contained in this installation instruction guide. Consult your vehicle owner's manual for proper disconnection of electrical and lifting of vehicle if required for installation of this product.

This install may require some technical skills and knowledge of basic mechanical work. If you do not feel that you are capable of performing this install please take this product to a trained professional.

After reading this guide please contact us with any questions or concerns before installing product.
Customer Service (480) 671-0820

Addictive desert designs is *not* responsible for any bodily injury or harm to you or your vehicle as a result of an improper install.

Proper installation of this kit required knowledge of the factory recommended procedures for removal and installation of original equipment components.

We recommend that the factory shop manual and any special tools needed to service your vehicle be on hand during the installation. Installation of this kit without proper knowledge of the factory recommended procedures may affect the performance of these components and the safety of the vehicle.

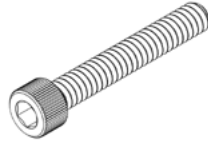
Inspect all contents of this package to make sure product is not damaged and all installation hardware has been included. If parts are missing from kit, please be prepared to provide the following information:

1. Name of purchase location
2. Bar Code on side of box
3. Date above bar code
4. Date inside box cover

***ALWAYS WEAR EYE PROTECTION
WHEN OPERATING POWER TOOLS***

HARDWARE/PARTS

A.



10-24 X 1.25 SOCKET HEAD SCREW

QTY: 1

A1.



10-24 NYLON WASHER

QTY: 4

A2.



10-24 NYLON LOCK NUT

QTY: 2

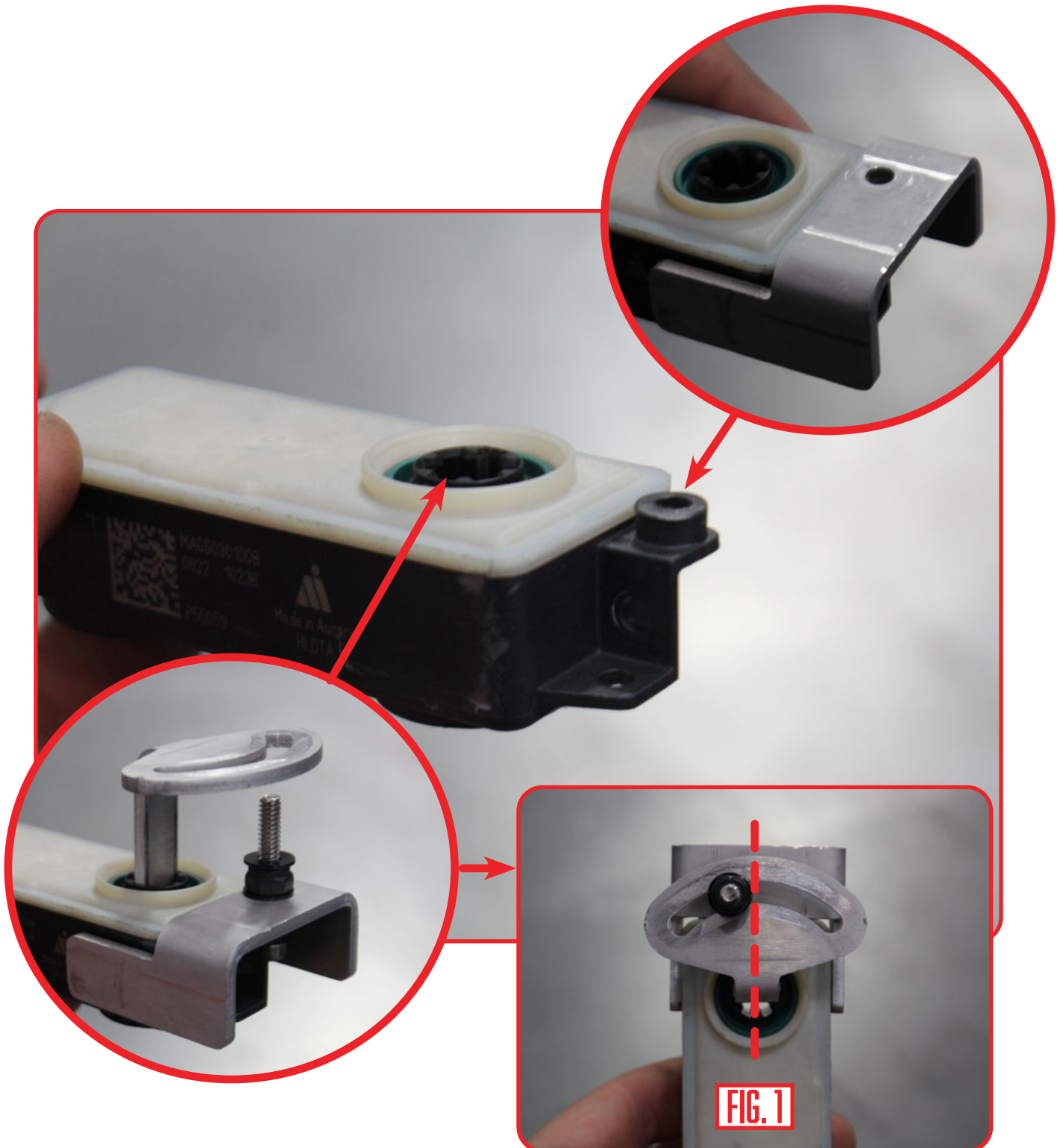
Reference this page throughout the install

SHUTTER MOTOR RELOCATION KIT 2024/FORD F-150 RAPTOR

INSTALL

□ STEP 1

Install the brackets as shown below. Be sure to install the top bracket center with the bottom bracket as shown in **FIG. 1**.

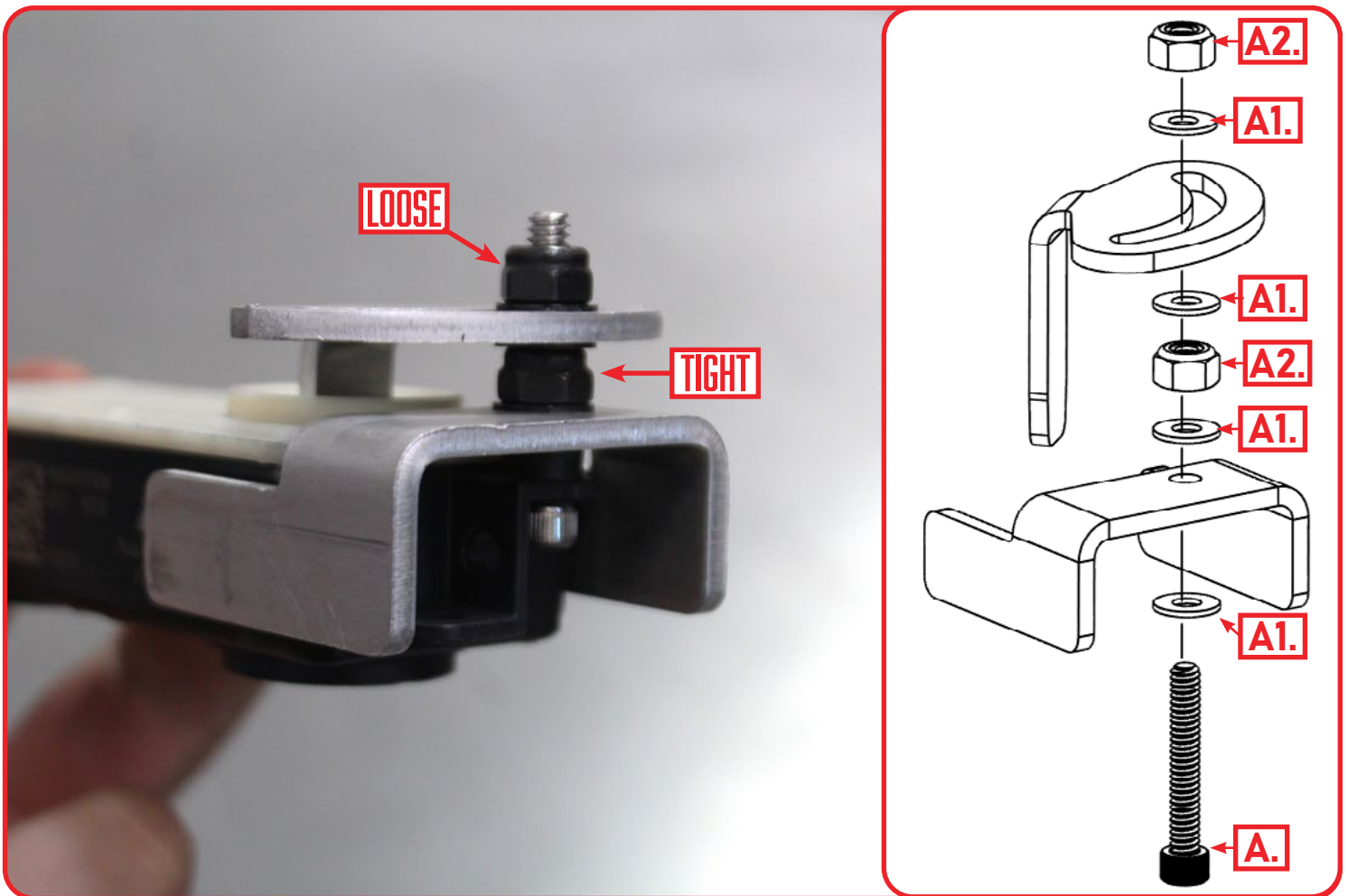


SHUTTER MOTOR RELOCATION KIT 2024/FORD F-150 RAPTOR

INSTALL

□ STEP 2

Using a (HW4 allen) and a (3/8 wrench), install the shutter motor relocation brackets in the order shown below. ****Leave the top nylon lock nut loose enough for the bracket to move freely****



SHUTTER MOTOR RELOCATION KIT 2024/FORD F-150 RAPTOR

FINAL

STEP 3

Stand back and enjoy your new ADD Shutter Motor Relocation Kit.

Check and re-tighten, if needed, all mounting bolts after 100 miles and periodically thereafter.



THIS PRODUCT IS PROTECTED BY ONE OR MORE U.S. PATENTS
WWW.ADDICTIVEDESERTDESIGNS.COM/PATENTS

FOR ADDITIONAL SUPPORT OR TECHNICAL QUESTIONS,
PLEASE CALL 480-671-0820 OR
EMAIL INFO@ADDICTIVEDESERTDESIGNS.COM