

2024/TOYOTA TACOMA

STEALTH CENTER MOUNT WINCH SKID PLATE

AC6705601NA

 **TOOLS REQUIRED**

(Allen) 5/32, 7/32
(Socket) 12mm, 7/16, 9/16
Ratchet

 **TIME REQUIRED**

- 30 Minutes

 **SKILL LEVEL**

-Easy

⚠️ WARNINGS/CAUTIONS BEFORE STARTING INSTALLATION ⚠️

-BEFORE YOU INSTALL THIS KIT-

Read and understand all instructions, warnings, cautions, & notes contained in this installation instruction guide. Consult your vehicle owner's manual for proper disconnection of electrical and lifting of vehicle if required for installation of this product.

This install may require some technical skills and knowledge of basic mechanical work. If you do not feel that you are capable of performing this install please take this product to a trained professional.

After reading this guide please contact us with any questions or concerns before installing product.
Customer Service (480) 671-0820

Addictive desert designs is *not* responsible for any bodily injury or harm to you or your vehicle as a result of an improper install.

Proper installation of this kit required knowledge of the factory recommended procedures for removal and installation of original equipment components.

We recommend that the factory shop manual and any special tools needed to service your vehicle be on hand during the installation. Installation of this kit without proper knowledge of the factory recommended procedures may affect the performance of these components and the safety of the vehicle.

Inspect all contents of this package to make sure product is not damaged and all installation hardware has been included. If parts are missing from kit, please be prepared to provide the following information:

1. Name of purchase location
2. Bar Code on side of box
3. Date above bar code
4. Date inside box cover

***ALWAYS WEAR EYE PROTECTION
WHEN OPERATING POWER TOOLS***

HARDWARE/PARTS

A.



14/20 X 3/4" BUTTON HEAD

QTY: 8

A1.



1/4" FLAT WASHER

QTY: 8

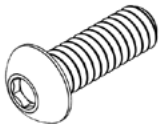
A2.



1/4-20" NYLON LOCK NUT

QTY: 8

B.



3/8-16 X 1" BUTTON HEAD

QTY: 7

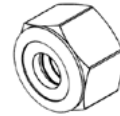
B1.



3/8" FLAT WASHER

QTY: 7

B2.



3/8-16" NYLON LOCK NUT

QTY: 7

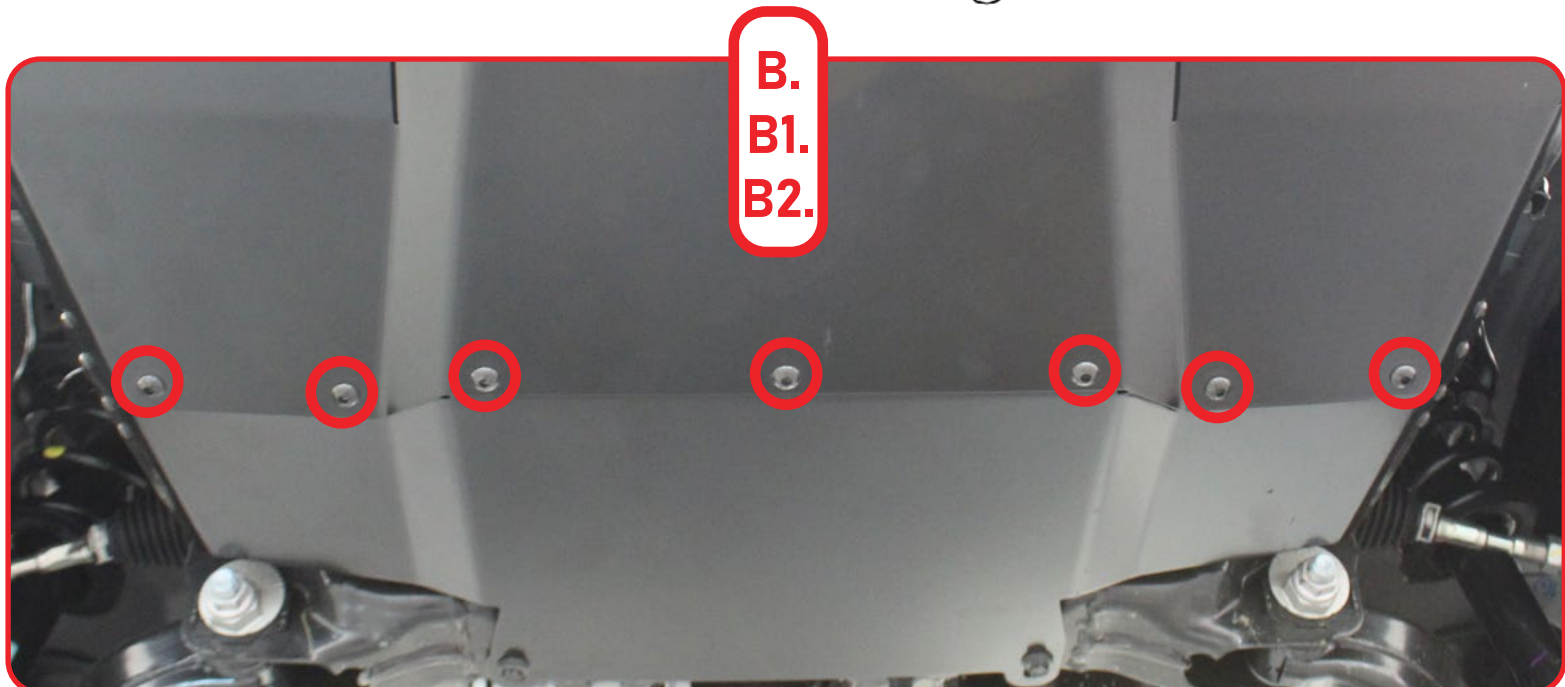
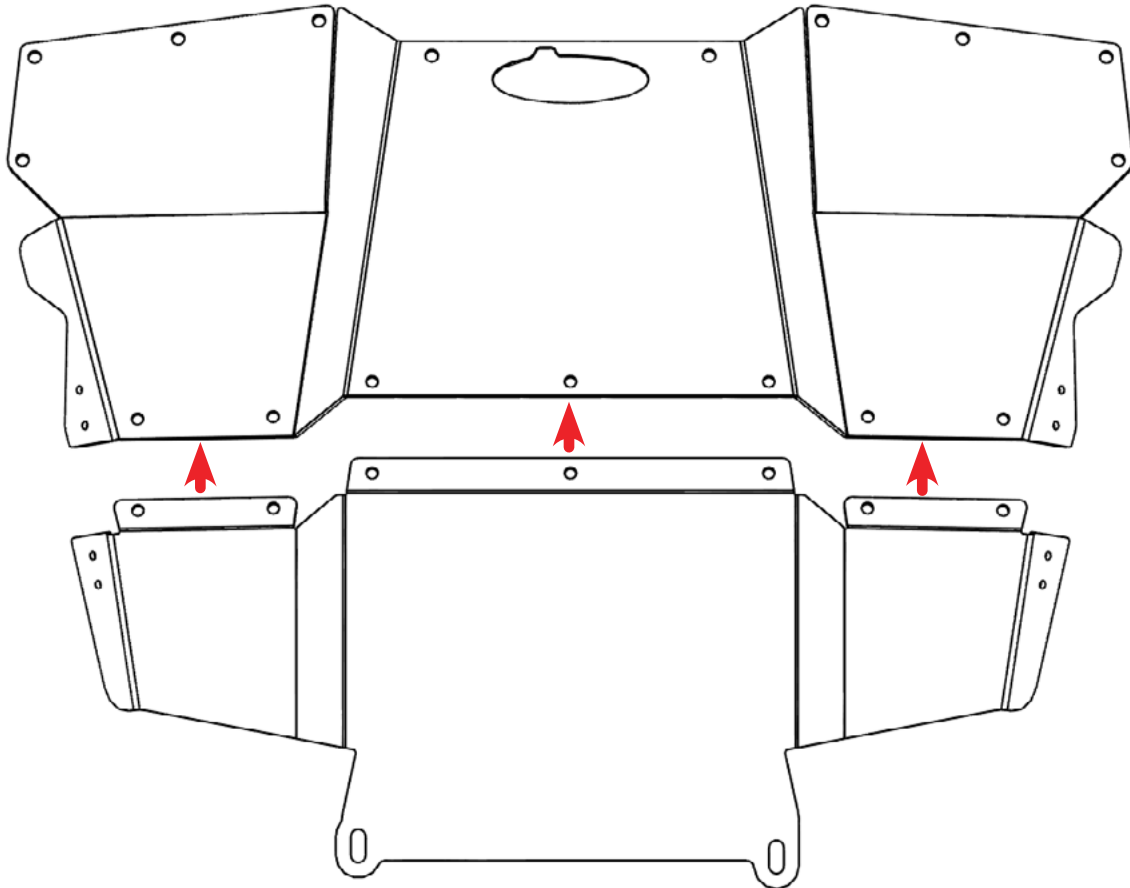
Reference this page throughout the install

STEALTH CENTER MOUNT WINCH SKID PLATE 2024/TOYOTA TACOMA

INSTALL

□ STEP 1

Using the provided **B, B1, B2** 3/8 hardware, assemble the skid plate as shown below using a (7/32 allen) and a (9/16 wrench).

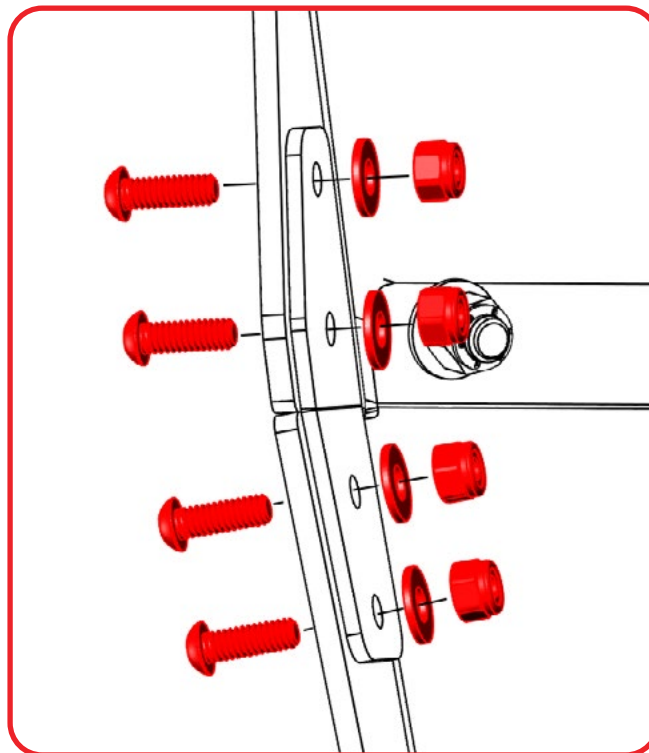
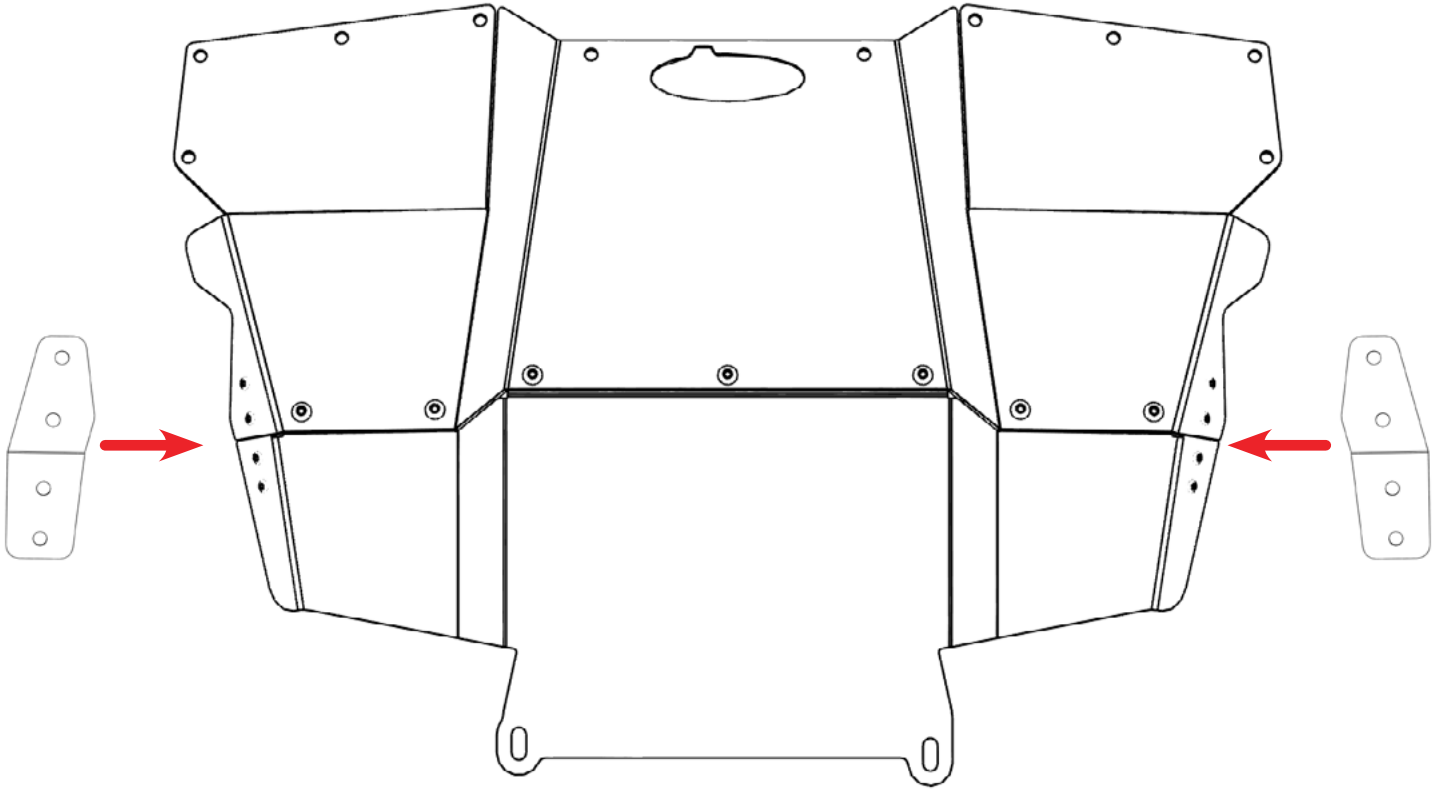


STEALTH CENTER MOUNT WINCH SKID PLATE 2024/TOYOTA TACOMA

INSTALL

□ STEP 2

Using the provided (A, A1, A2) 1/4 hardware, install the side brackets on the inside of the skid plate using a (5/32 allen) and a (7/16 wrench).



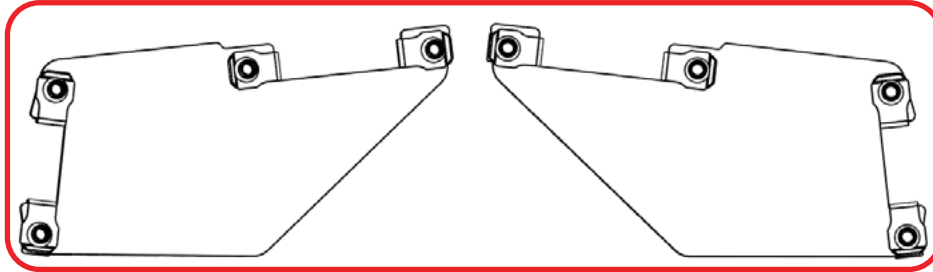
A.
A1.
A2.

STEALTH CENTER MOUNT WINCH SKID PLATE 2024/TOYOTA TACOMA

INSTALL

□ STEP 3

Next, ensure the backer plates provided with the bumper are installed before installing the skid plate.

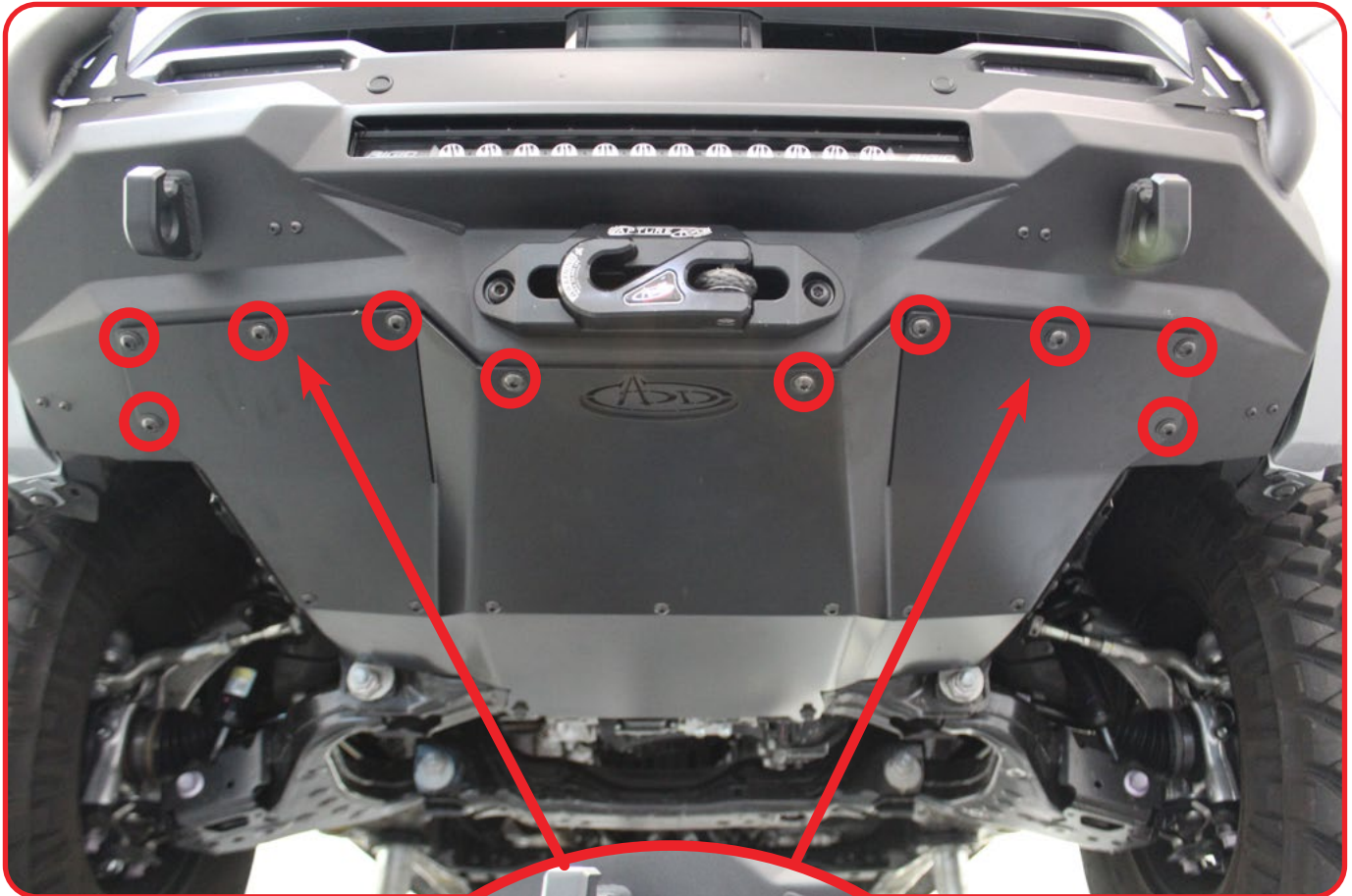


STEALTH CENTER MOUNT WINCH SKID PLATE 2024/TOYOTA TACOMA

INSTALL

□ STEP 4

Install the skid plate with the supplies 3/8" button head bolts that came with the bumper using a (5/32 allen).

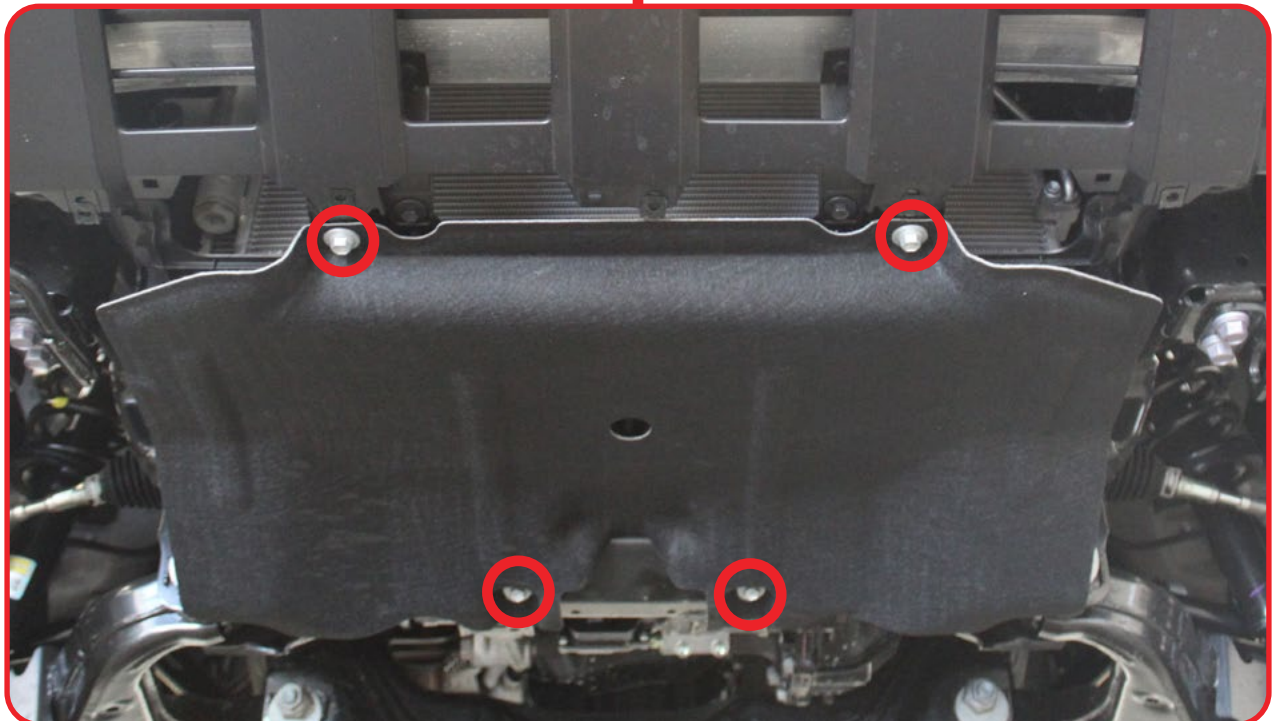


STEALTH CENTER MOUNT WINCH SKID PLATE 2024/TOYOTA TACOMA

INSTALL

□ STEP 5

From the stealth center mount front install guide, find the hardware removed from step 3.

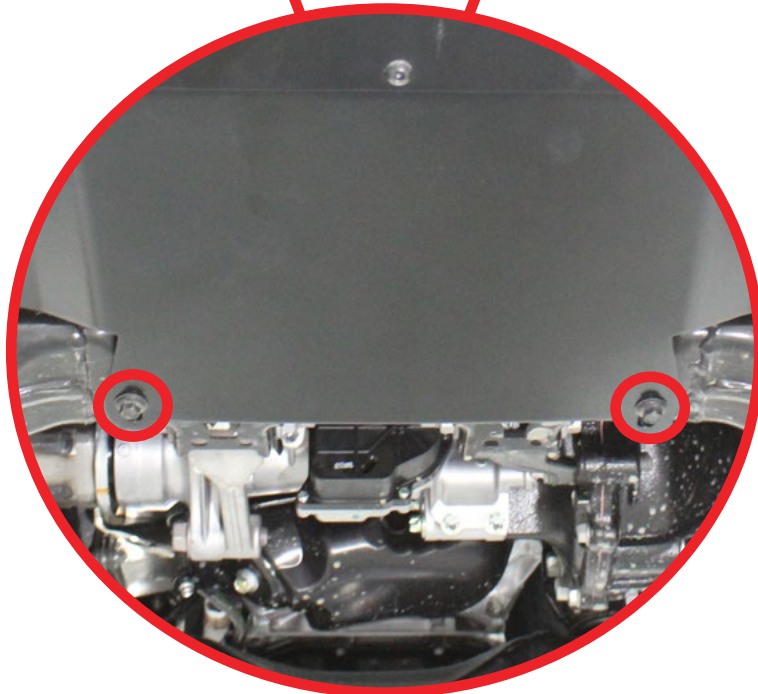
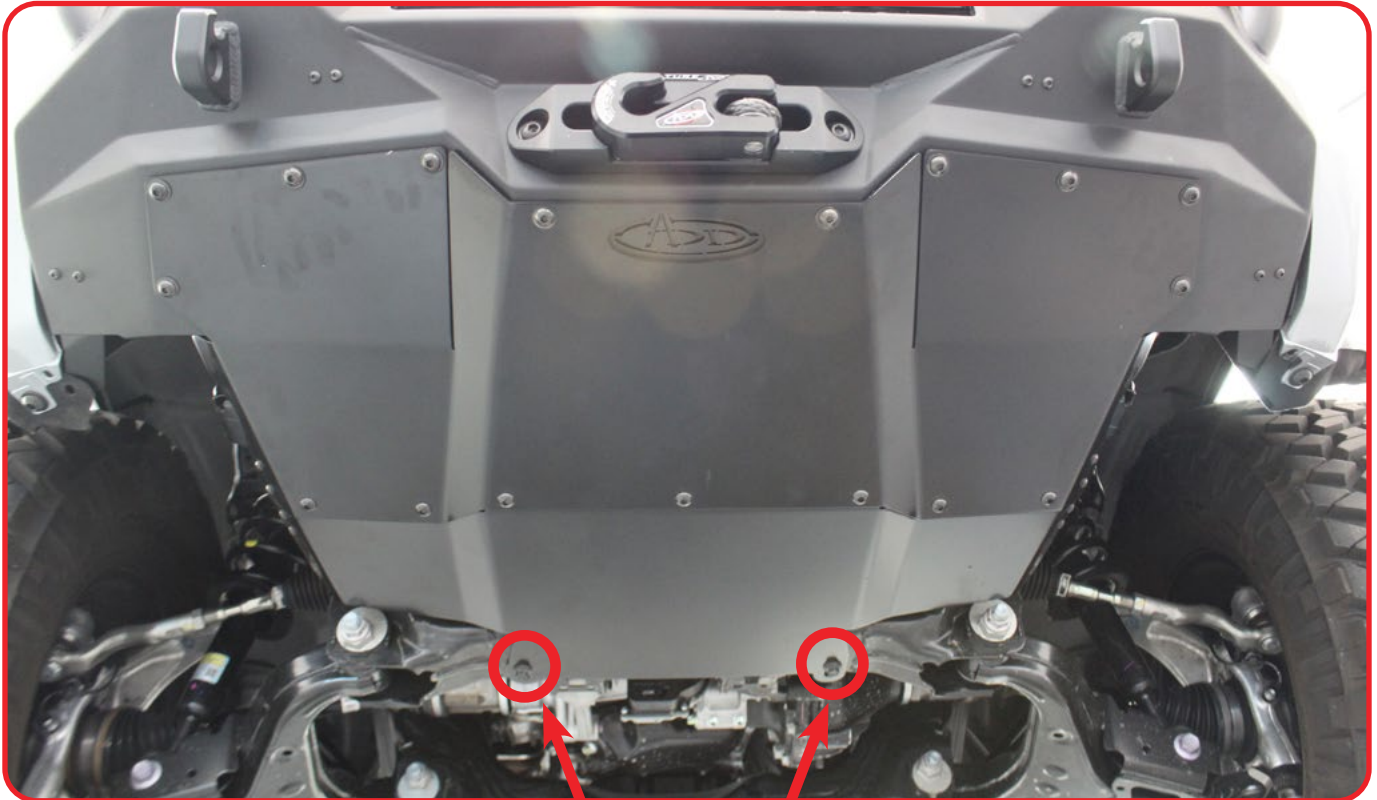


STEALTH CENTER MOUNT WINCH SKID PLATE 2024/TOYOTA TACOMA

INSTALL

□ STEP 6

Install the skid plate with the OEM hardware removed from the previous step as shown below using a (12mm socket)



STEALTH CENTER MOUNT WINCH SKID PLATE 2024/TOYOTA TACOMA

FINAL

□ STEP 7

Stand back and enjoy your new ADD Stealth Center Mount Winch Skid Plate.

Check and re-tighten, if needed, all mounting bolts after 100 miles and periodically thereafter.



THIS PRODUCT IS PROTECTED BY ONE OR MORE U.S. PATENTS
WWW.ADDICTIVEDESERTDESIGNS.COM/PATENTS

FOR ADDITIONAL SUPPORT OR TECHNICAL QUESTIONS,
PLEASE CALL 480-671-0820 OR
EMAIL INFO@ADDICTIVEDESERTDESIGNS.COM